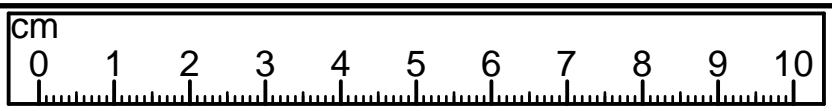
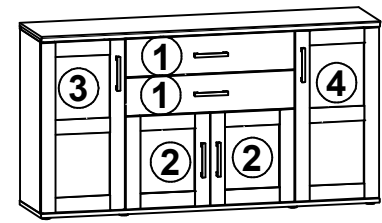
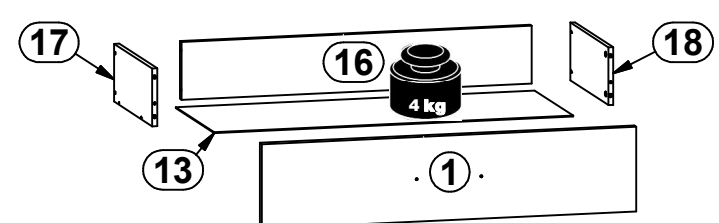
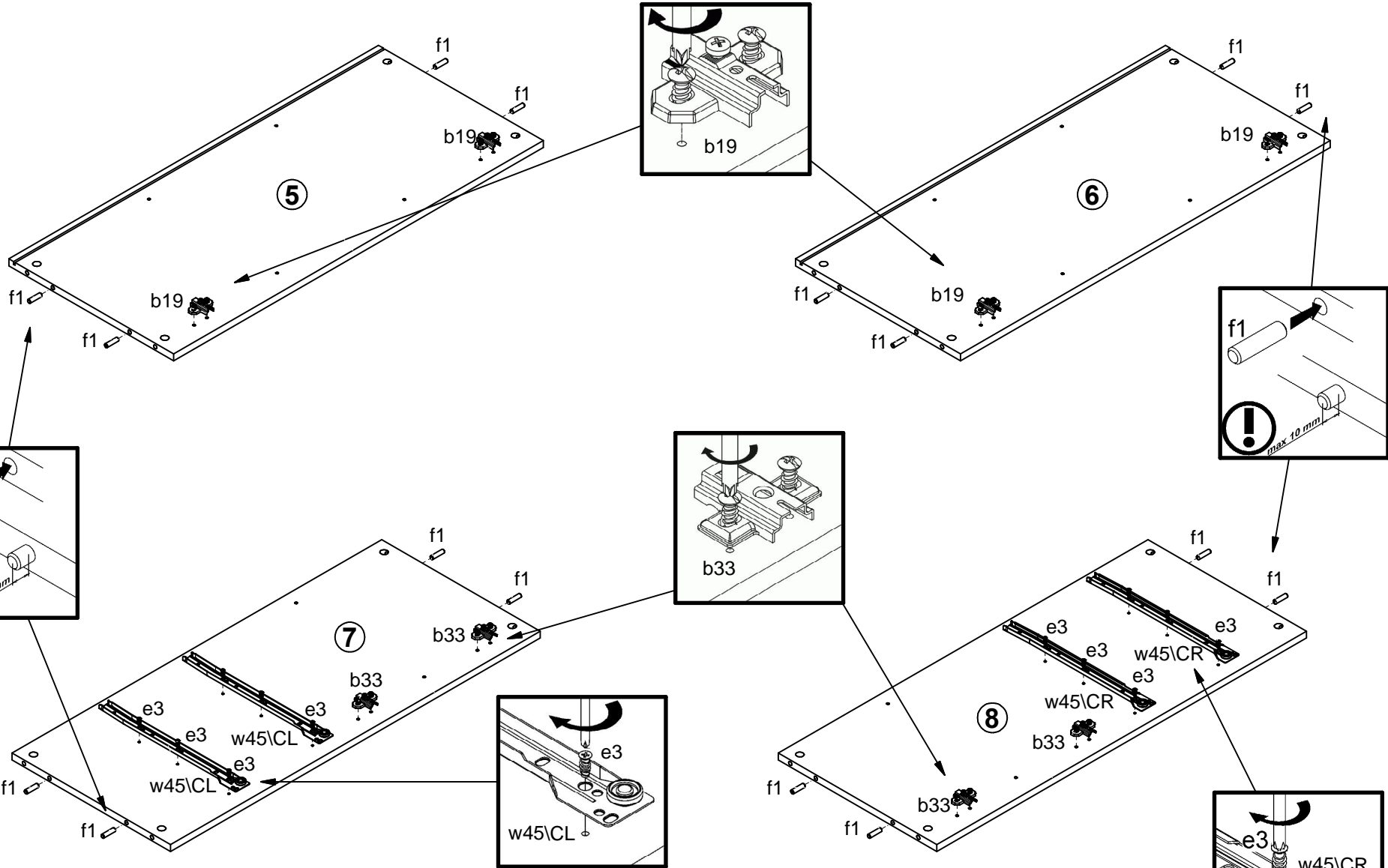


A	B	C (mm)		D
1	S331-019	924	205	1/2
2	S331-020	498	460	1/2
3	S331-021	916	460	1/2
4	S331-022	916	460	1/2
5	S331-121	924	412	1/2
6	S331-122	924	412	1/2
7	S331-123	924	396	1/2
8	S331-124	924	396	1/2
9	S331-214	1858	450	2/2
10	S331-215	1858	433	2/2
11	S331-309	441	390	2/2
12	S331-312	912	395	1/2
13	S331-924	886	355	2/2
14	S331-925	934	929	2/2
15	S331-926	934	454	2/2
16	ZS3-5667	864	140	2/2
17	ZS4-531	350	140	2/2
18	ZS4-532	350	140	2/2



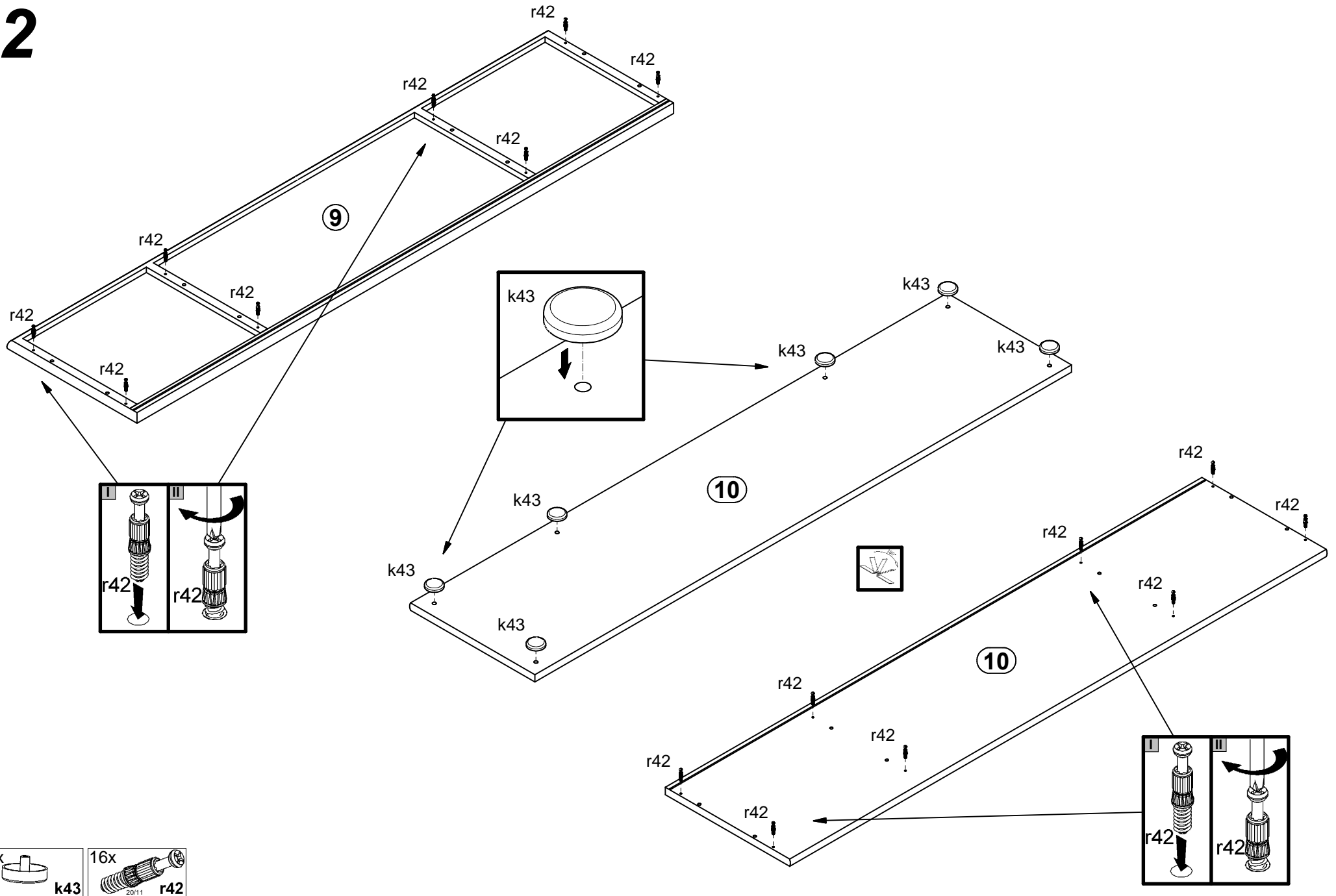
4x K0 a44	4x K9.5 a68	4x D5 b19	4x D1.5 b33	6x c193 160 mm	20x d1 Ø5x17 mm	12x e3 Ø6x13 mm	8x e19 Ø5x9 mm	16x f1 Ø8x30 mm	4x f9 Ø6x30 mm	8x f25 Ø6.5x40 mm	1x f35 Ø10x50 mm	6x k43
40x l1	14x l2	1x 81x21x15/1.5 n14	12x Ø4x30 mm p9	1x Ø5x60 mm p17	2x Ø3.5x16 mm p25	2x Ø3.5x10 mm p35	14x Ø3.5x16 mm p38	16x Ø3.5x15 mm p51	16x Ø15x12 mm #16 r1	8x Ø12x10.5 mm #12 r15	24x 20/11 r42	2x 350 mm t35
2x 350 mm w45\CL	2x 350 mm w45\CR	2x 350 mm w45\DL	2x 350 mm w45\DR	14x Ø16 s2								

1



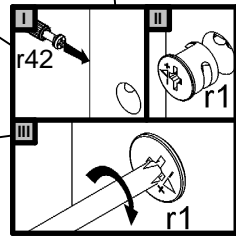
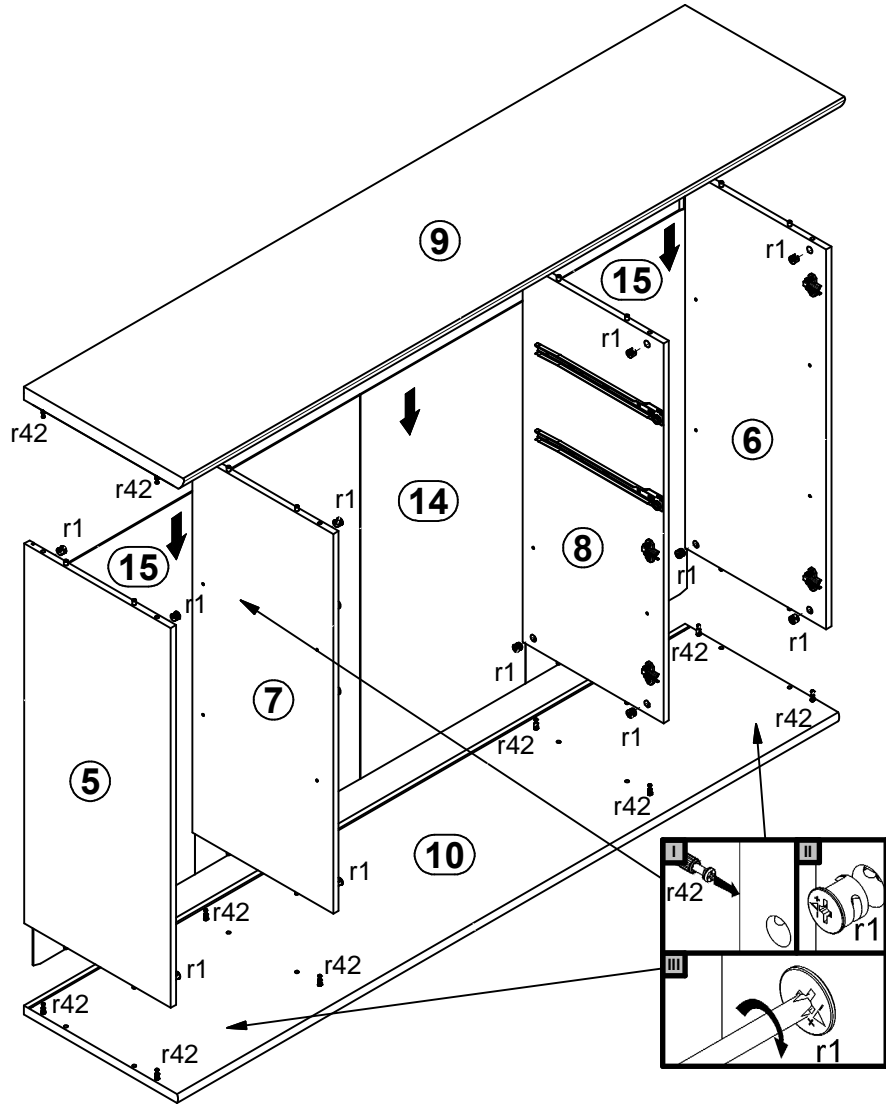
- 4x **b19**
- 4x **b33**
- 12x **e3**  
Ø6x13 mm
- 16x **f1**  
Ø8x30 mm
- 2x **w45\CL**  
350 mm
- 2x **w45\CR**  
350 mm

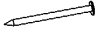


2

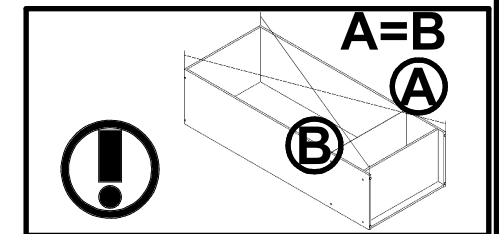
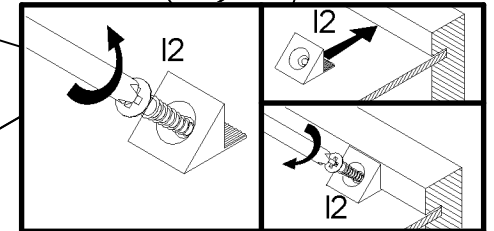
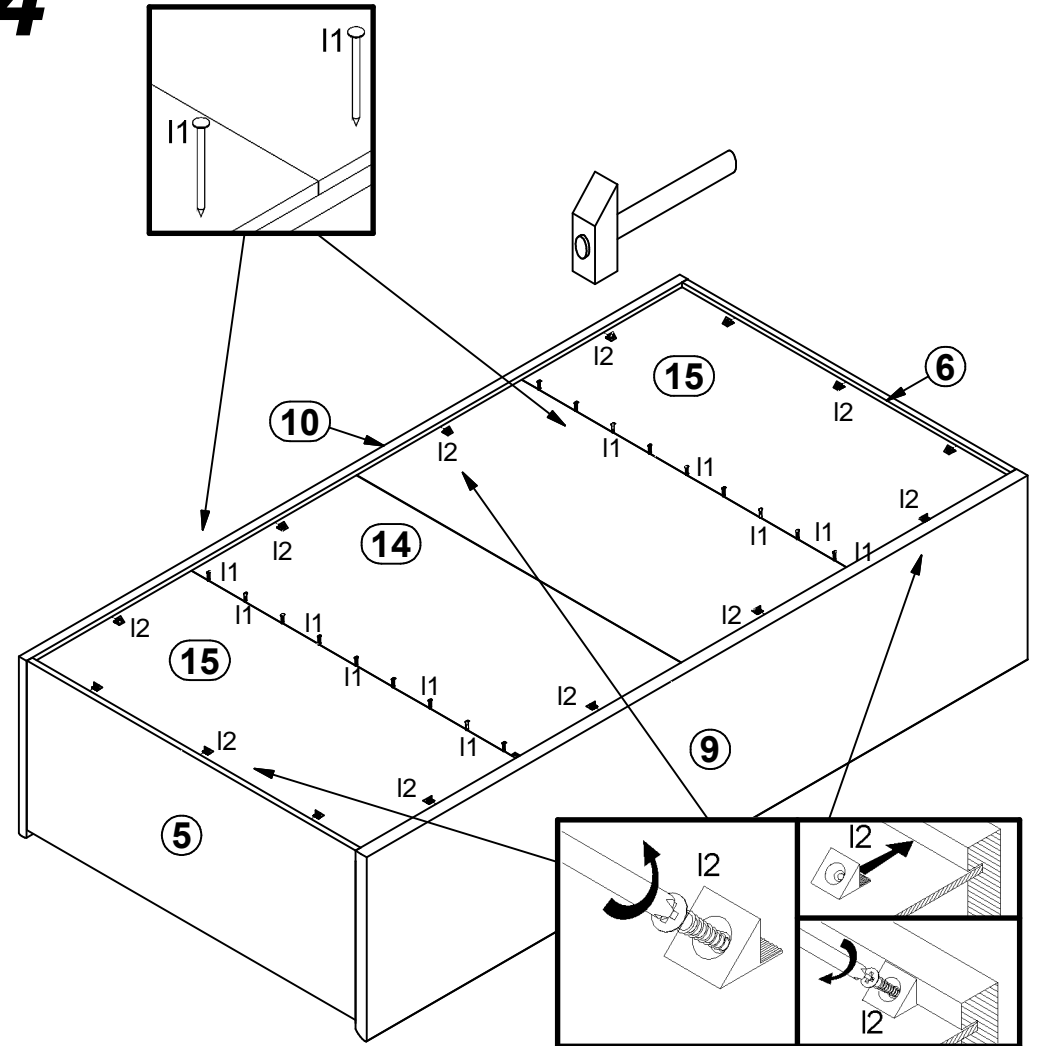


3 

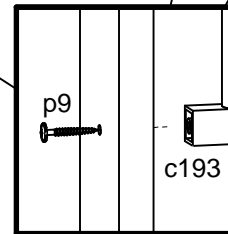
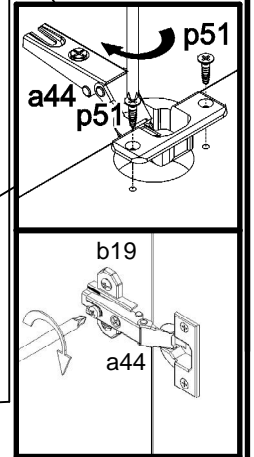
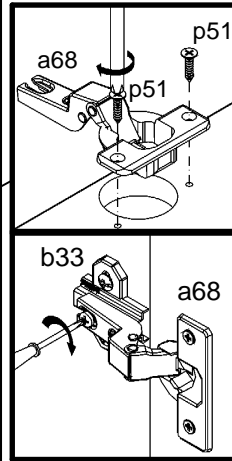
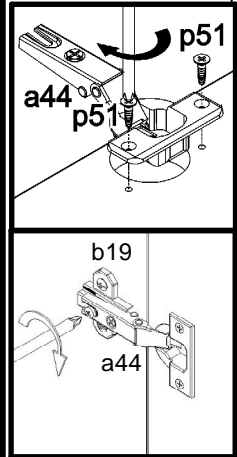
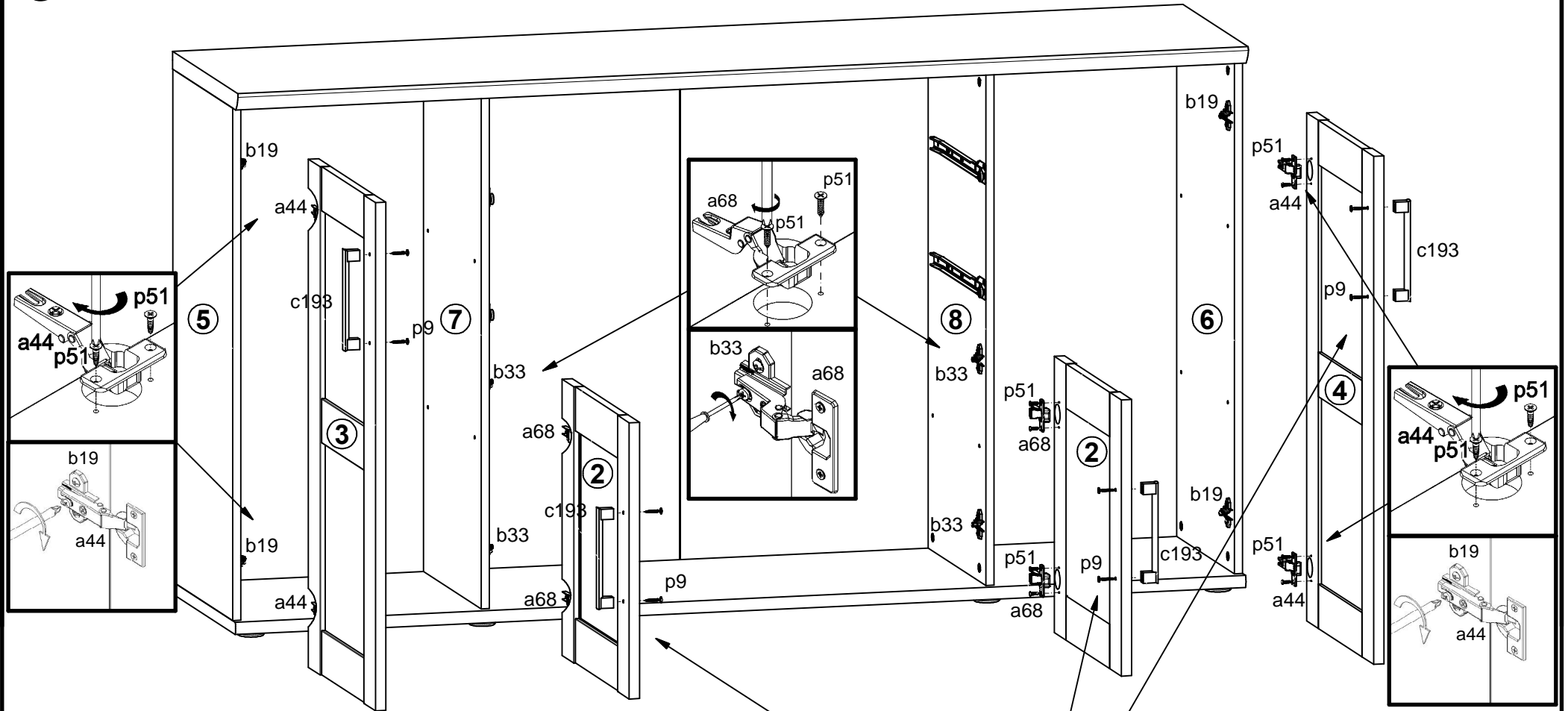
4



- 40x  I1
- 14x  I2
- 16x  r1  
Ø15x12 mm #16

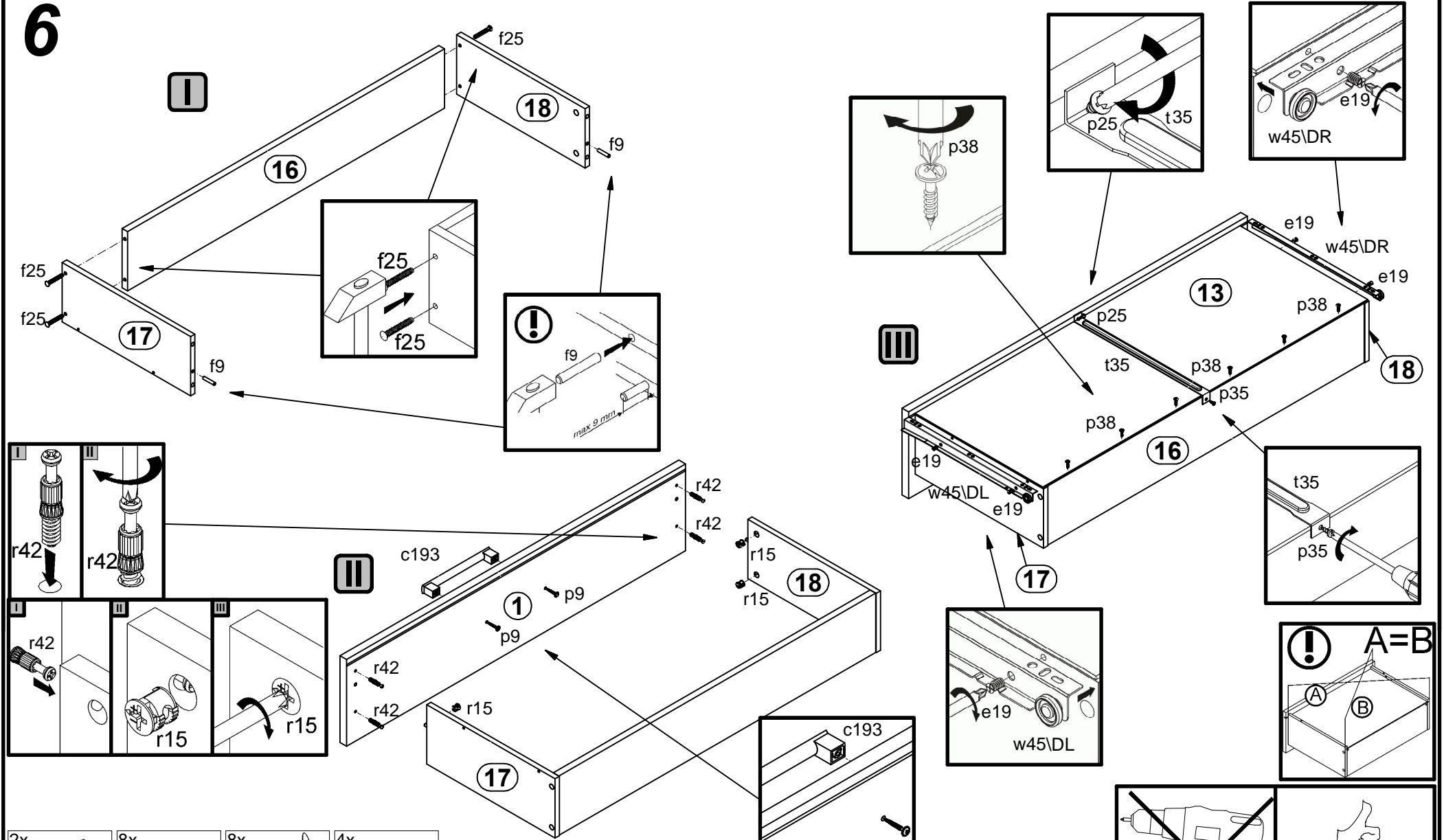


# 5



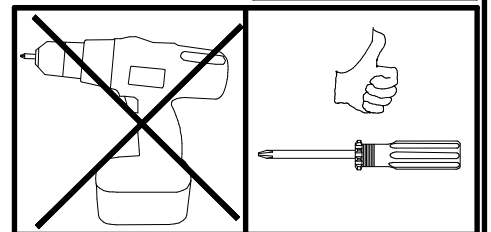
- 4x a44
- 4x a68
- 4x c193
- 16x p51
- 8x p9

6

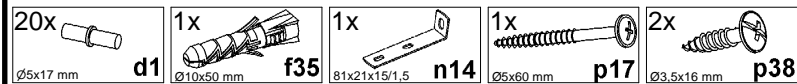
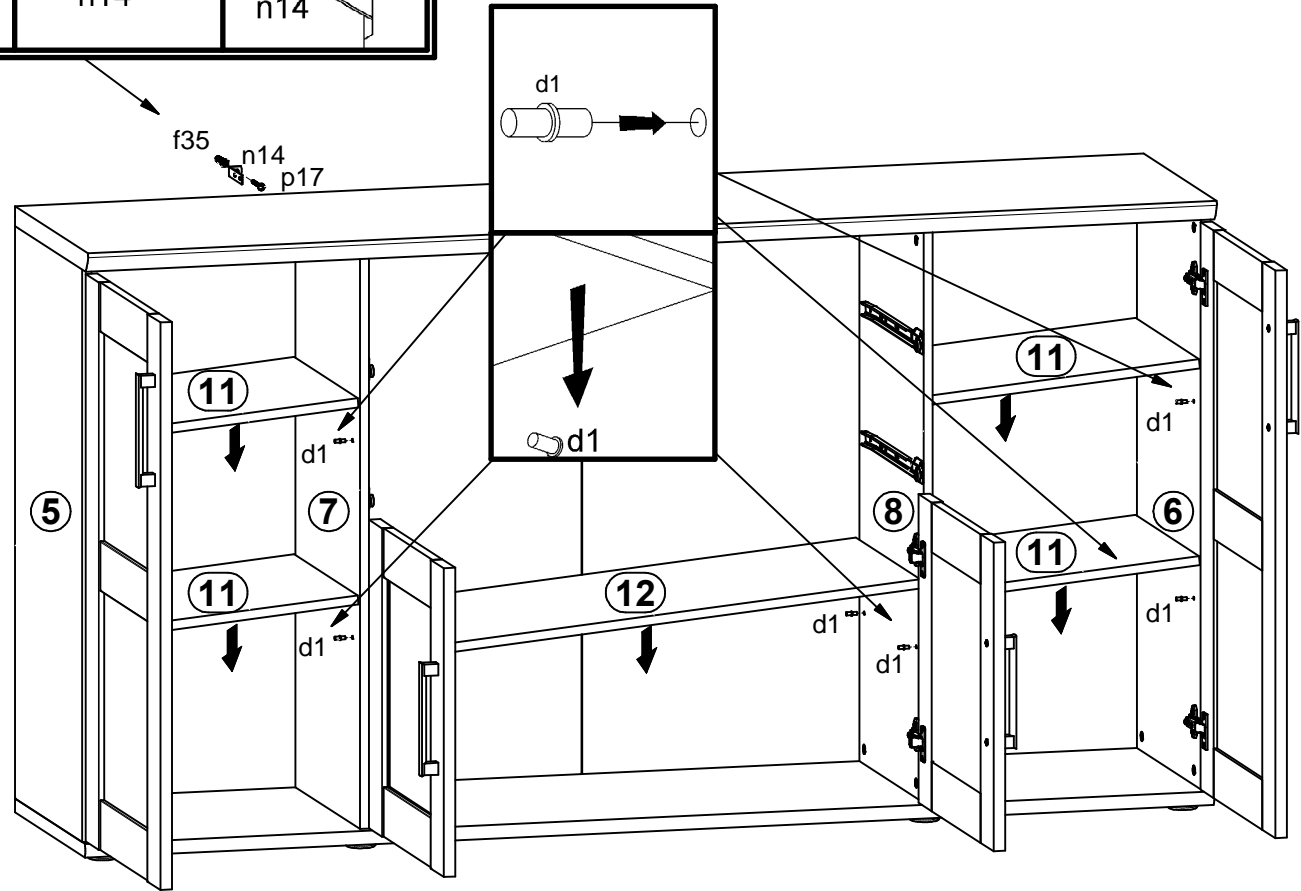
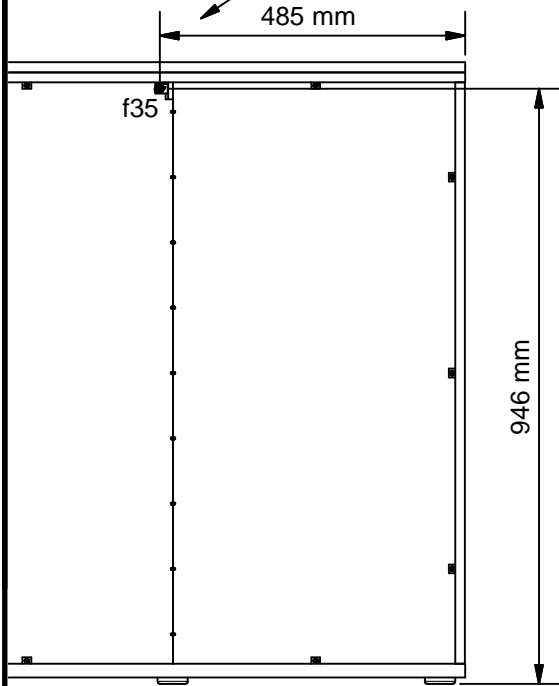
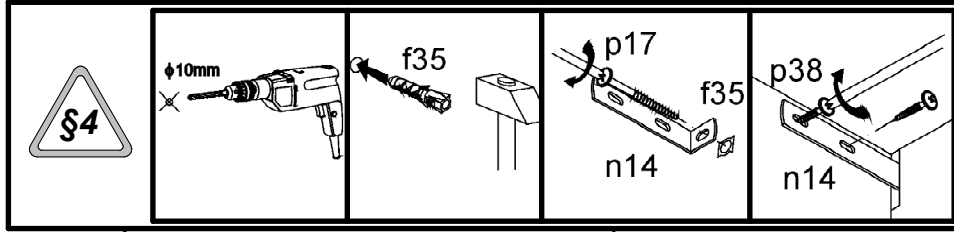


- 2x 160 mm **c193**
- 8x Ø5x9 mm **e19**
- 8x Ø6,5x40 mm **f25**
- 4x Ø6x30 mm **f9**

- 4x Ø4x30 mm **p9**
- 2x Ø3,5x16 mm **p25**
- 2x Ø3,5x10 mm **p35**
- 12x Ø3,5x16 mm **p38**
- 8x Ø12x10,5 mm #12 **r15**
- 8x 20/11 **r42**
- 2x 350 mm **t35**
- 2x 350 mm **w45\DL**
- 2x 350 mm **w45\DR**

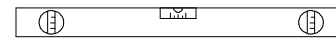
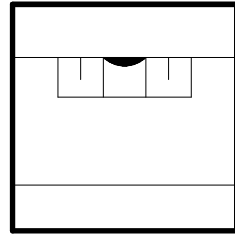


7





8



14x  
Ø16 s2

