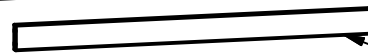
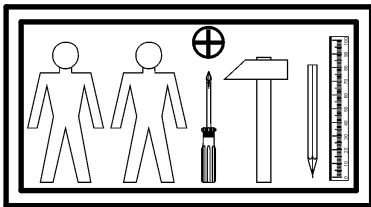
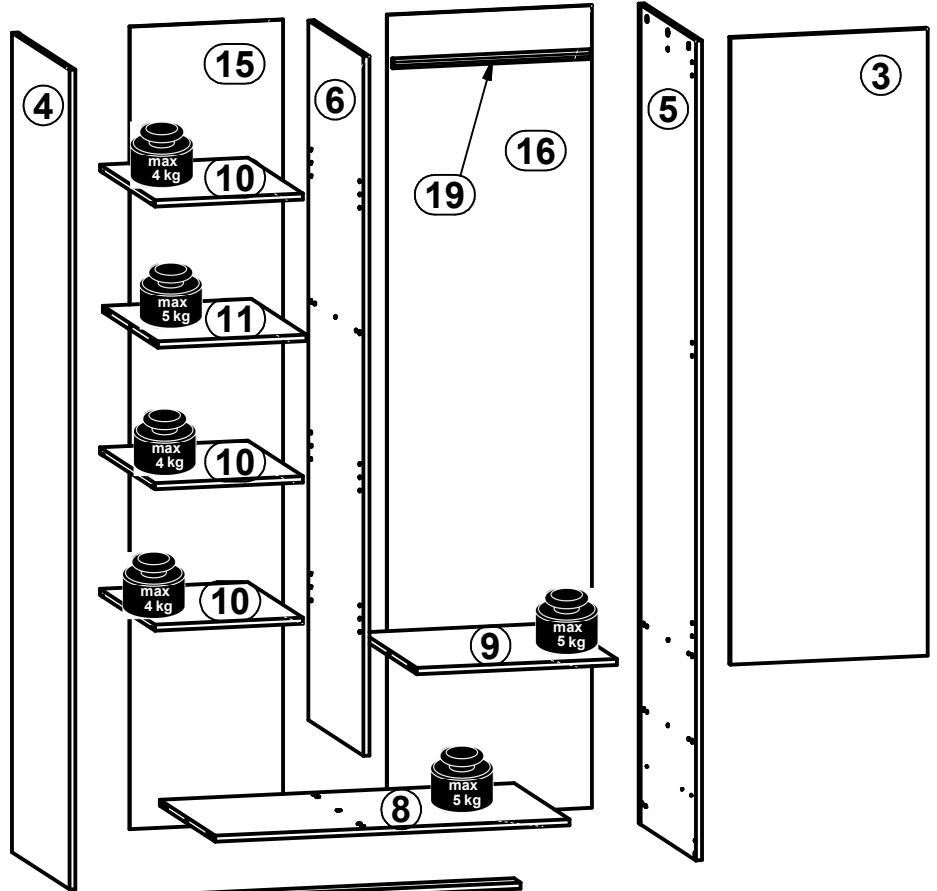
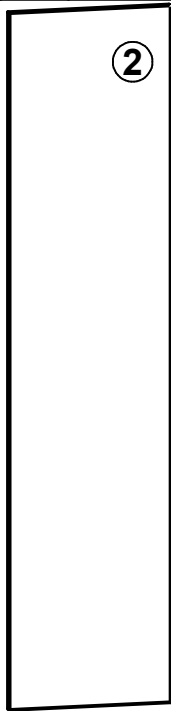
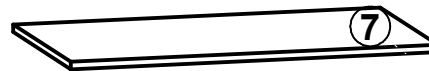
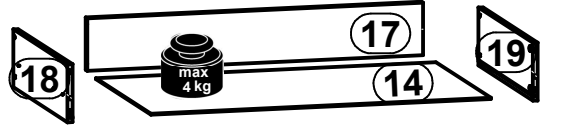
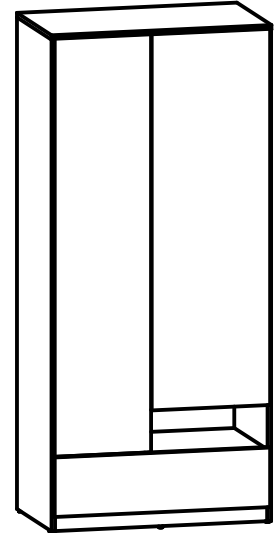
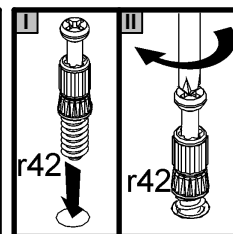
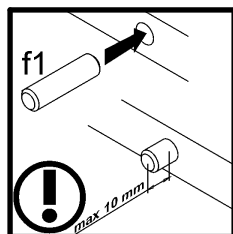
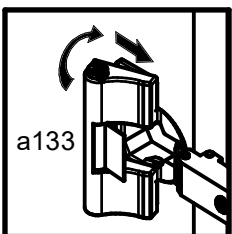
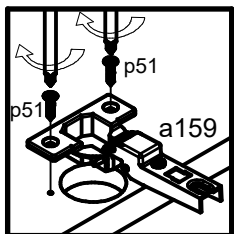
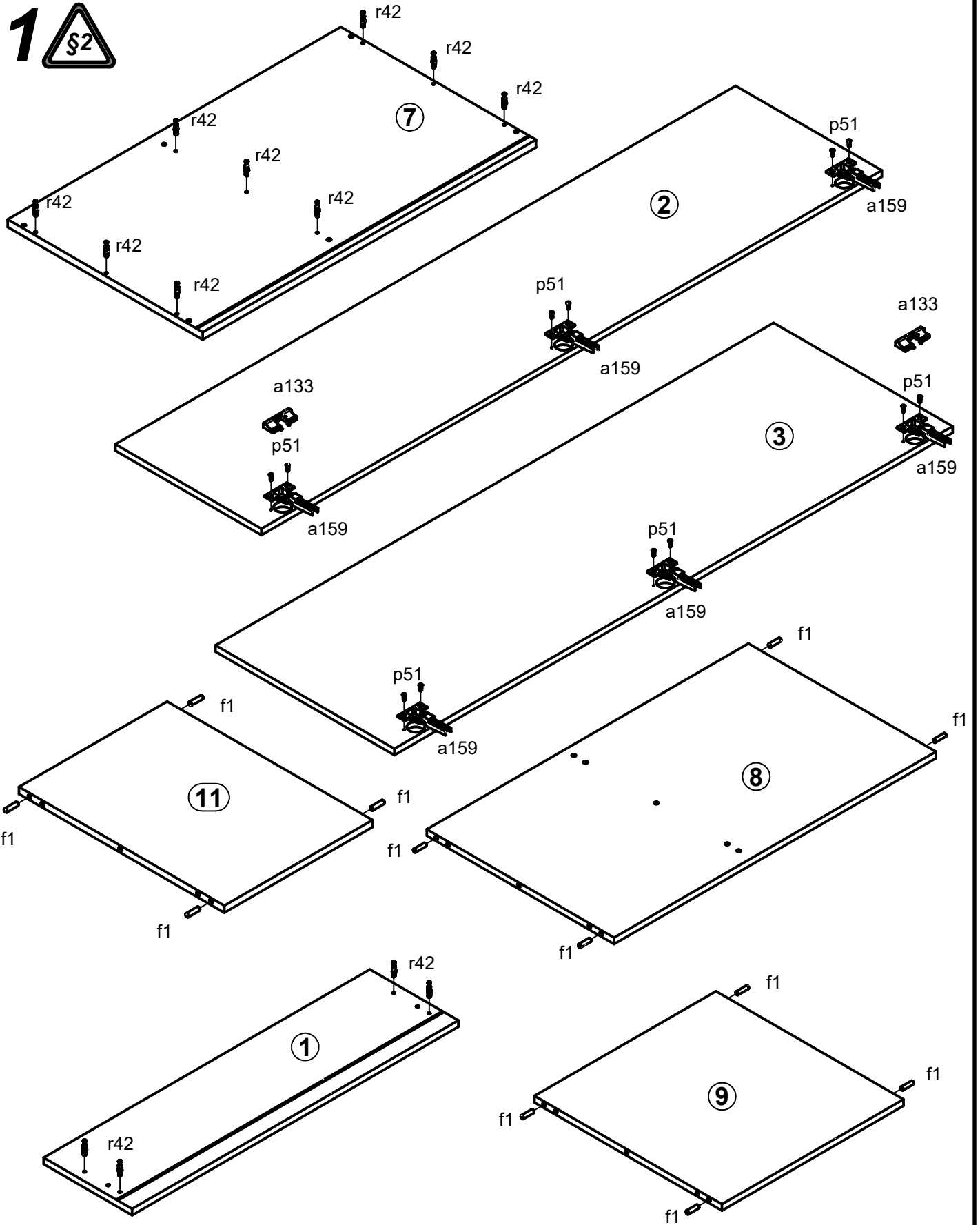


A	B	C	D	
1	S441-0013	886	240	3/3
2	S441-0014	1685	397	3/3
3	S441-0015	1516	486	3/3
4	S441-1027	1982	529	2/3
5	S441-1028	1982	529	2/3
6	S441-1029	1692	509	2/3
7	S441-2009	905	530	1/3
8	S441-3016	874	509	1/3
9	S441-3017	493	509	1/3
10	S441-3018	365	507	1/3
11	S441-3023	366	507	1/3
12	S441-4006	874	60	1/3
13	S441-4007	874	60	1/3
14	S441-9010	838	507	1/3
15	S441-9011	1941	378	2/3
16	S441-9012	1941	505	2/3
17	ZK3-5015	828	127	1/3
18	ZK3-515	500	140	1/3
19	ZK3-516	500	140	1/3
19	dr-486	486	22	1/3

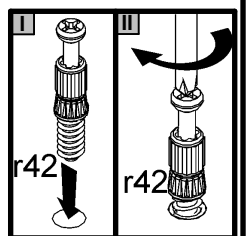
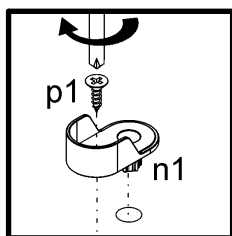
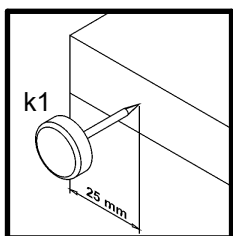
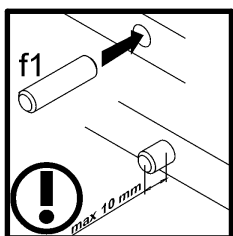
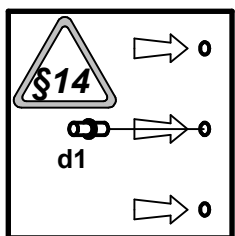
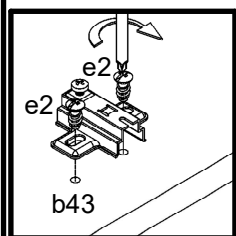
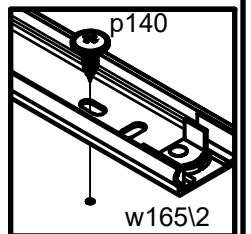
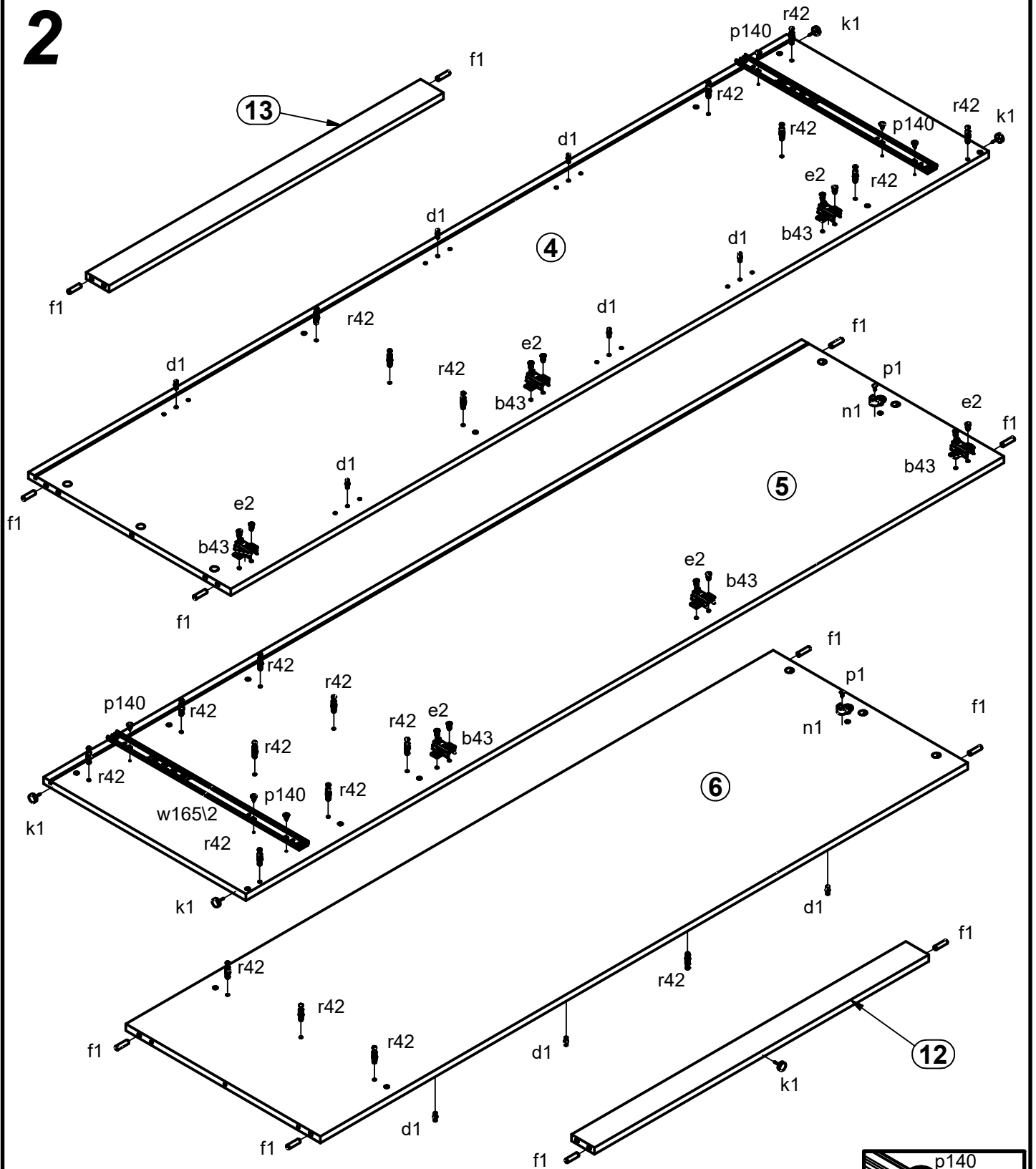


2x  a133	6x  a159	6x  b43	12x  d1 Ø5x17 mm	3x  e1 Ø7x50 mm	12x  e2 Ø6.3x13 mm	24x  f1 Ø8x30 mm	4x  f25 Ø6.5x40 mm	2x  f9 Ø6x30 mm
5x  k1	25x  l1 1.4x20 mm	12x  l2	2x  n1 h=22mm	8x  n108 22x9.5x20.7 mm	2x  p1 Ø3.5x13 mm	12x  p140 Ø3.5x12 mm	1x  p25 Ø3.5x16 mm	1x  p35 Ø3.5x10 mm
7x  p38 Ø3.5x16 mm	12x  p51 Ø3.5x15 mm	8x  p55 Ø2.9x16 mm	31x  r1 Ø15x12 mm #16	4x  r15 Ø12x10.5 mm #12	35x  r42 20/L1	1x  t34 500 mm	2x  w165\1 500/820 mm	2x  w165\2 500/820 mm
9x  s68 Ø 20mm	1x  z1 4 mm	1x  n26						

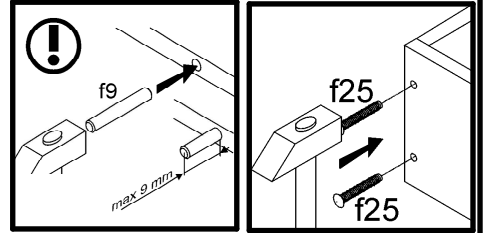
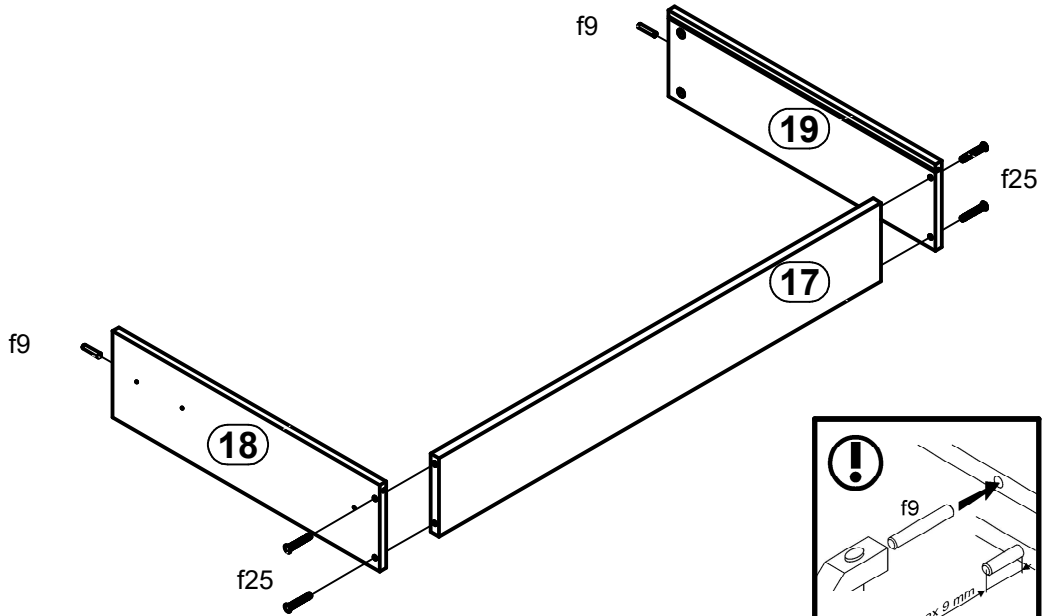
1 



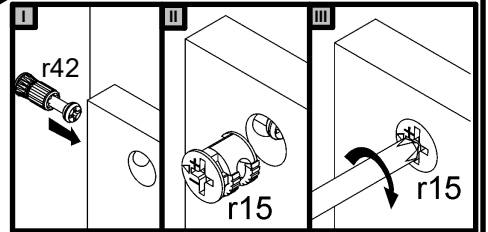
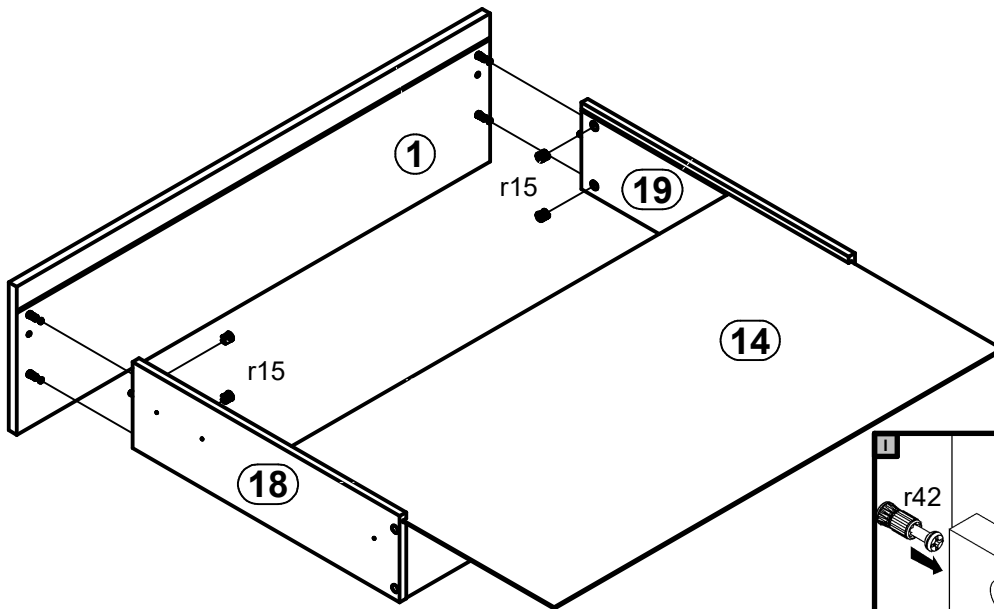
# 2



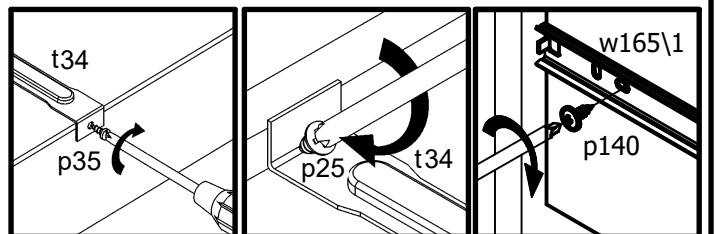
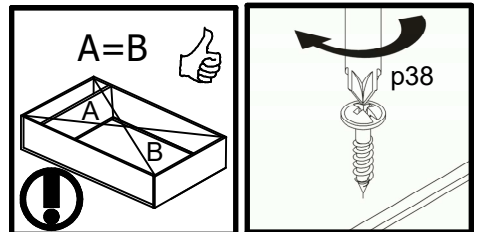
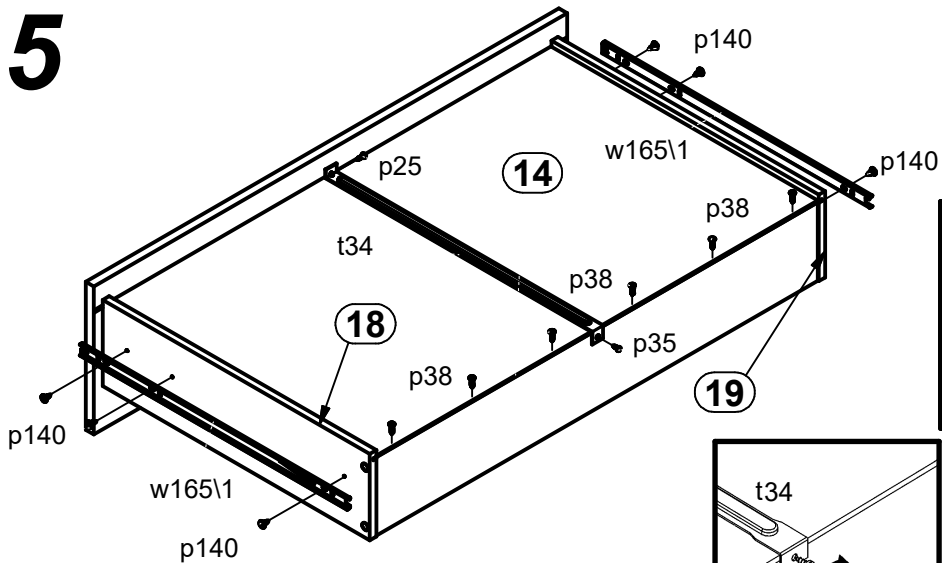
# 3



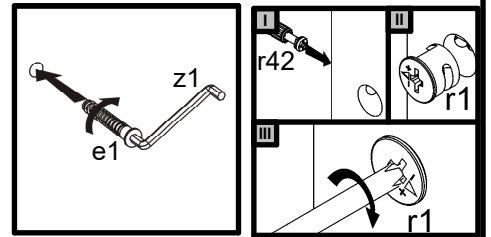
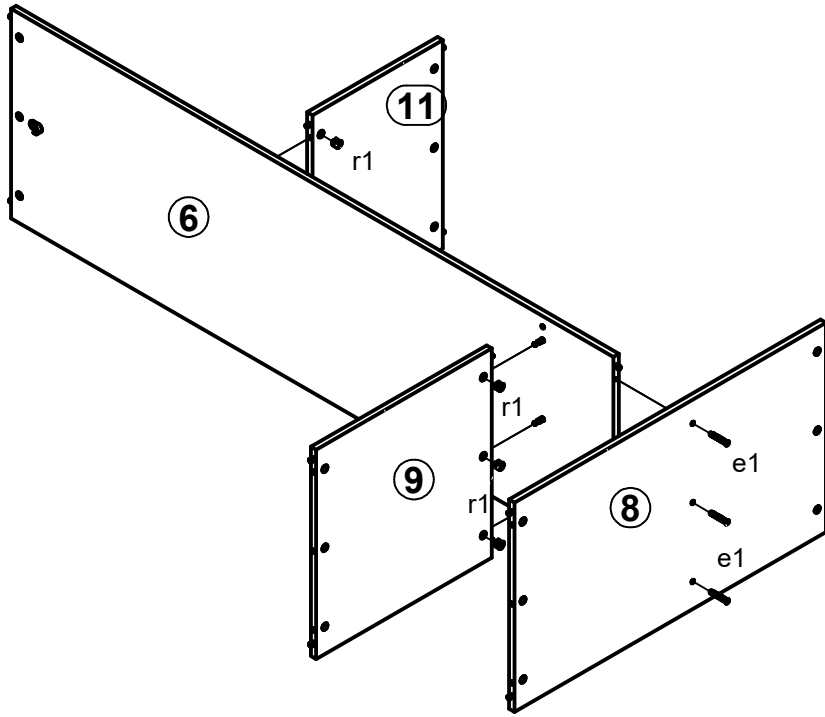
# 4



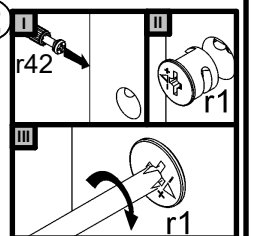
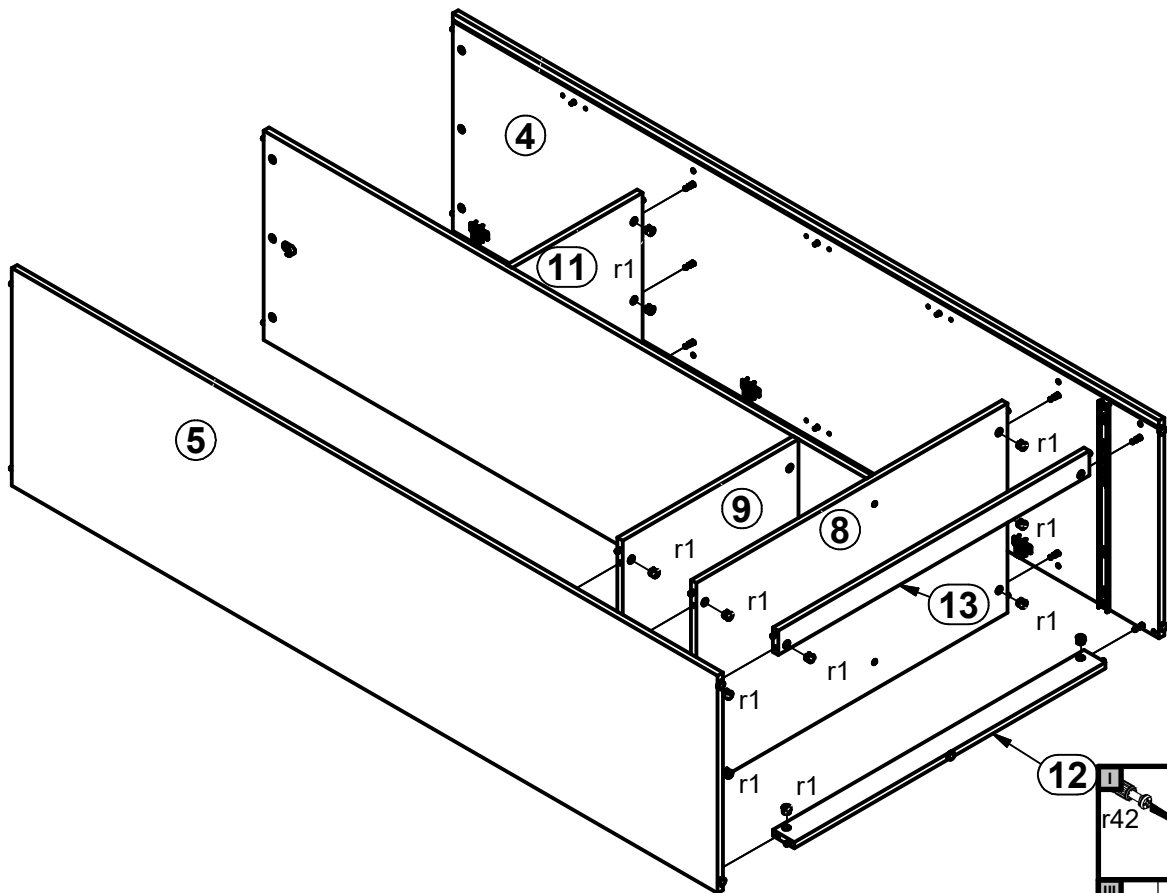
# 5



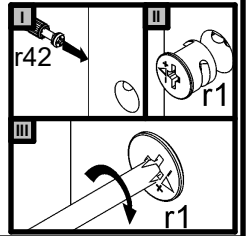
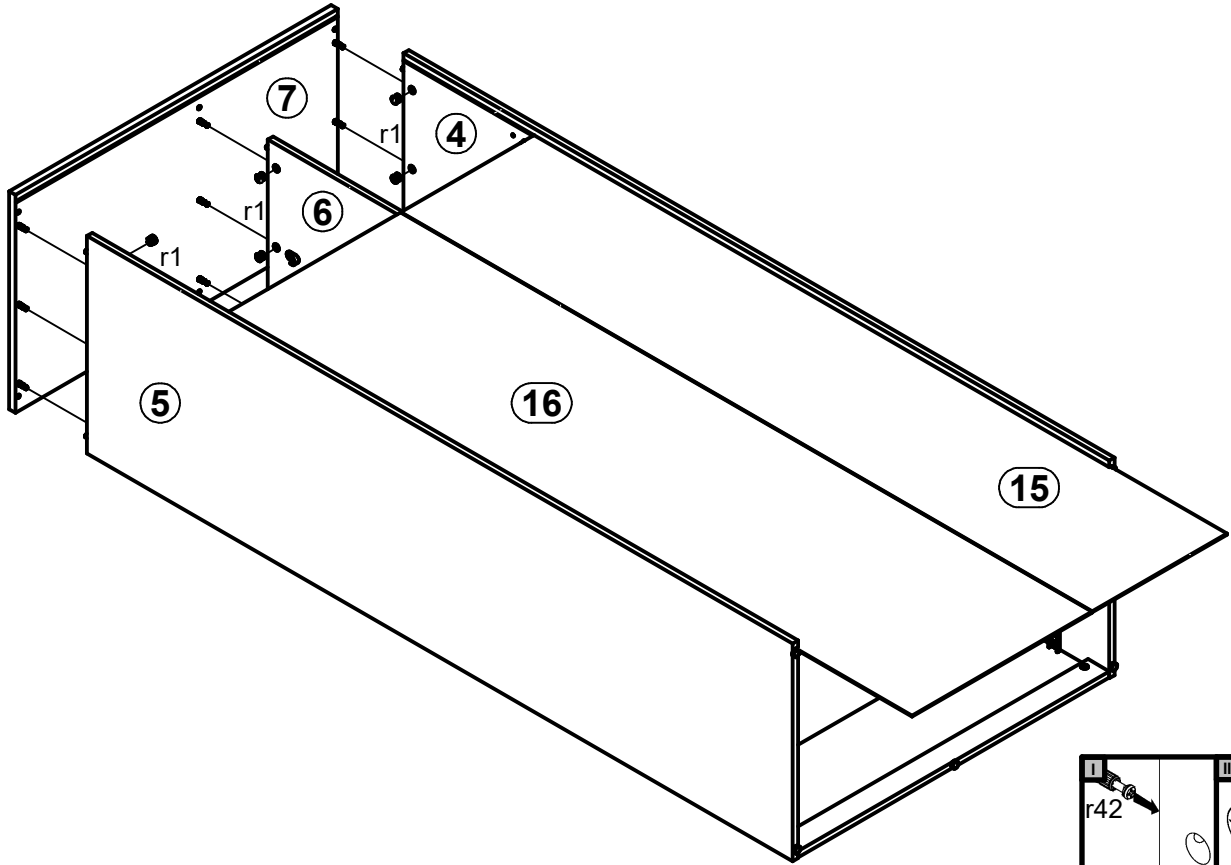
# 6



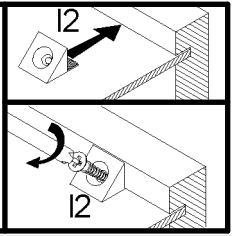
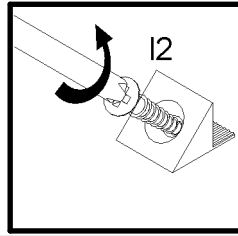
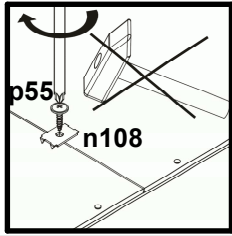
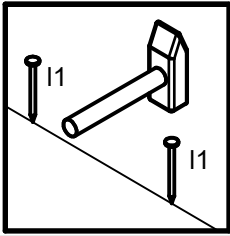
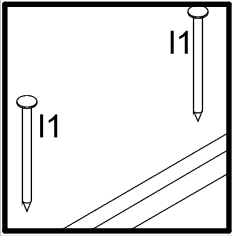
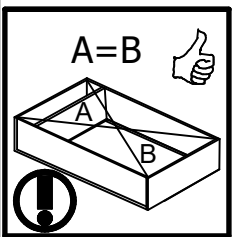
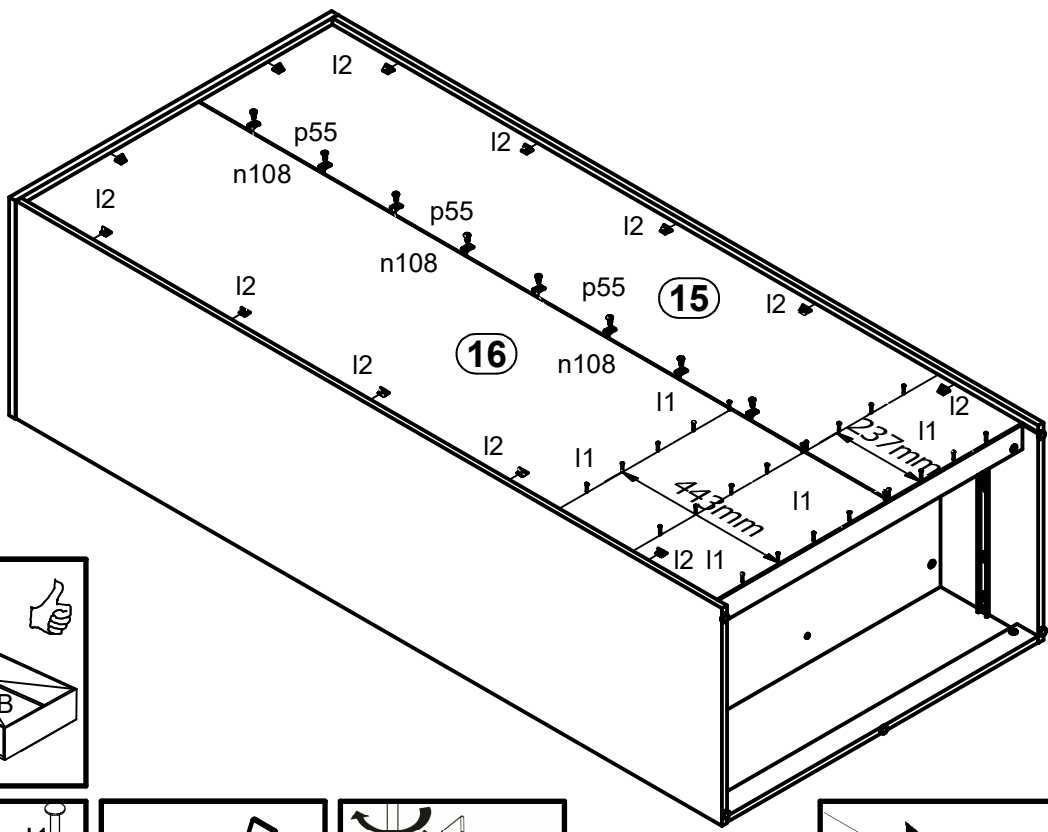
# 7



# 8



# 9



# 10

