


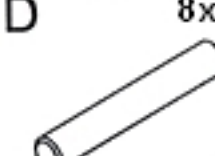
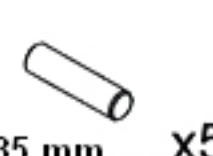







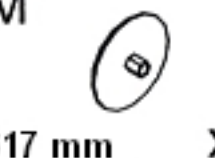
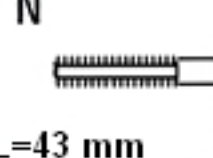
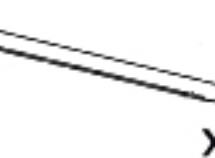


- | | | | | | |
|--|---|---|---|---|---|
| A L=76 mm
 x7 | B L=45 mm
 x36 | C 12x15 mm
 x50 | D 8x70 mm
 7 | E 8x35 mm
 x52 | F L=350 mm
 x8 |
| G 6x9 mm
 x32 | H
 x1 | I 3,5x15 mm
 x32 | J
 x6 | K
 x90 | L
 x10 |
| M ø17 mm
 x16 | N L=43 mm
 x32 | O
 x2 | | | |

