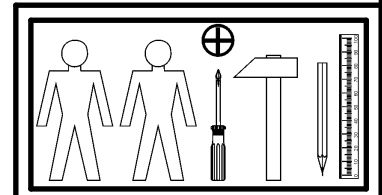
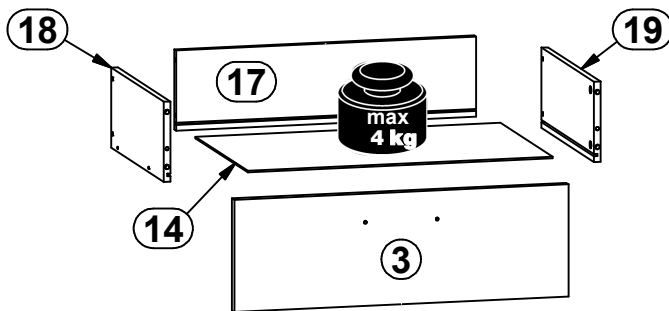
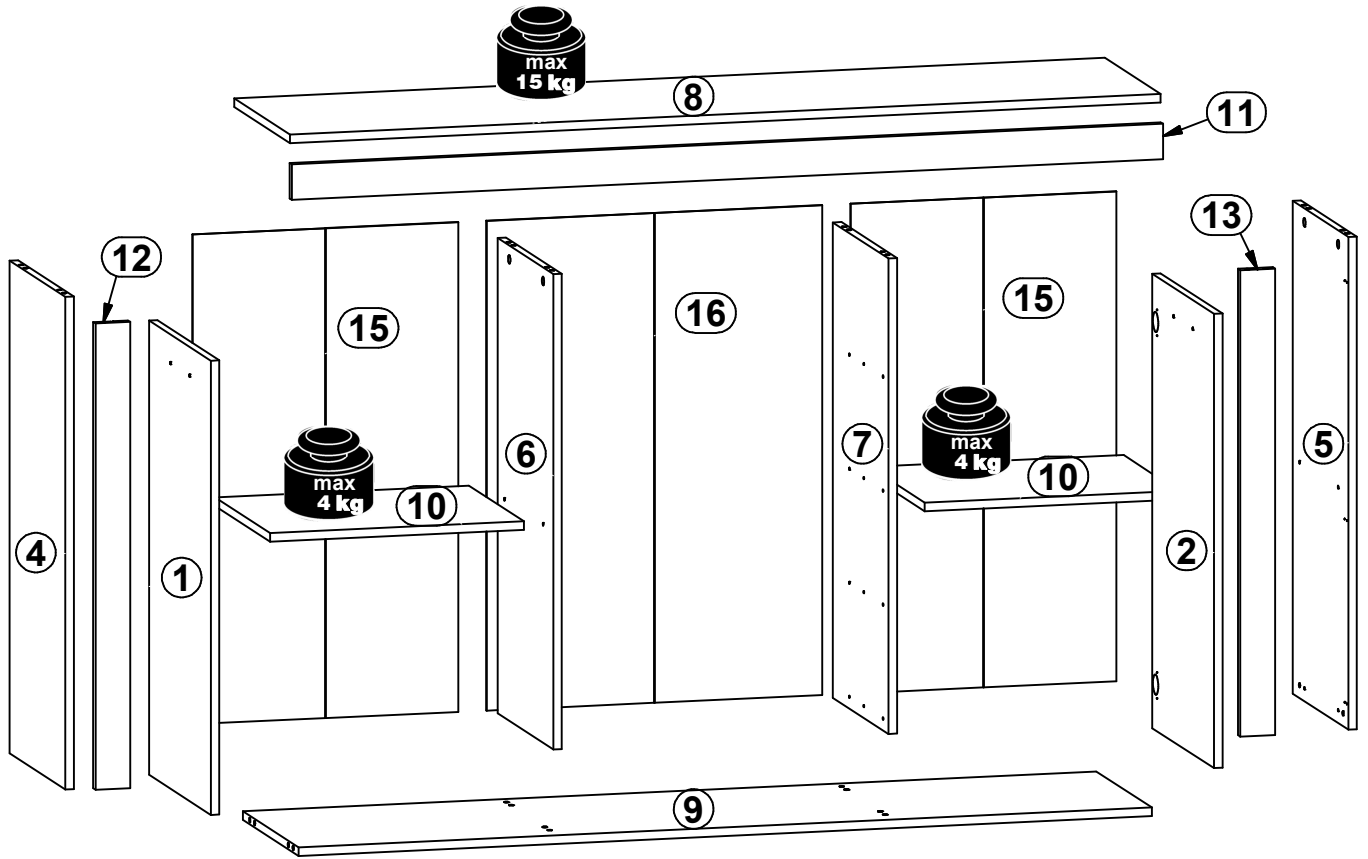
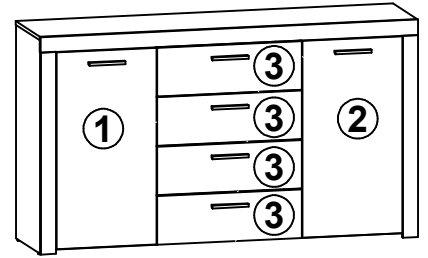
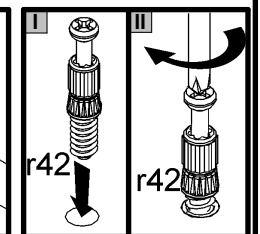
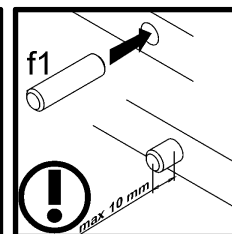
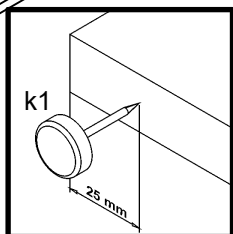
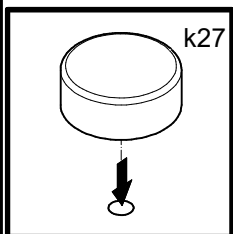
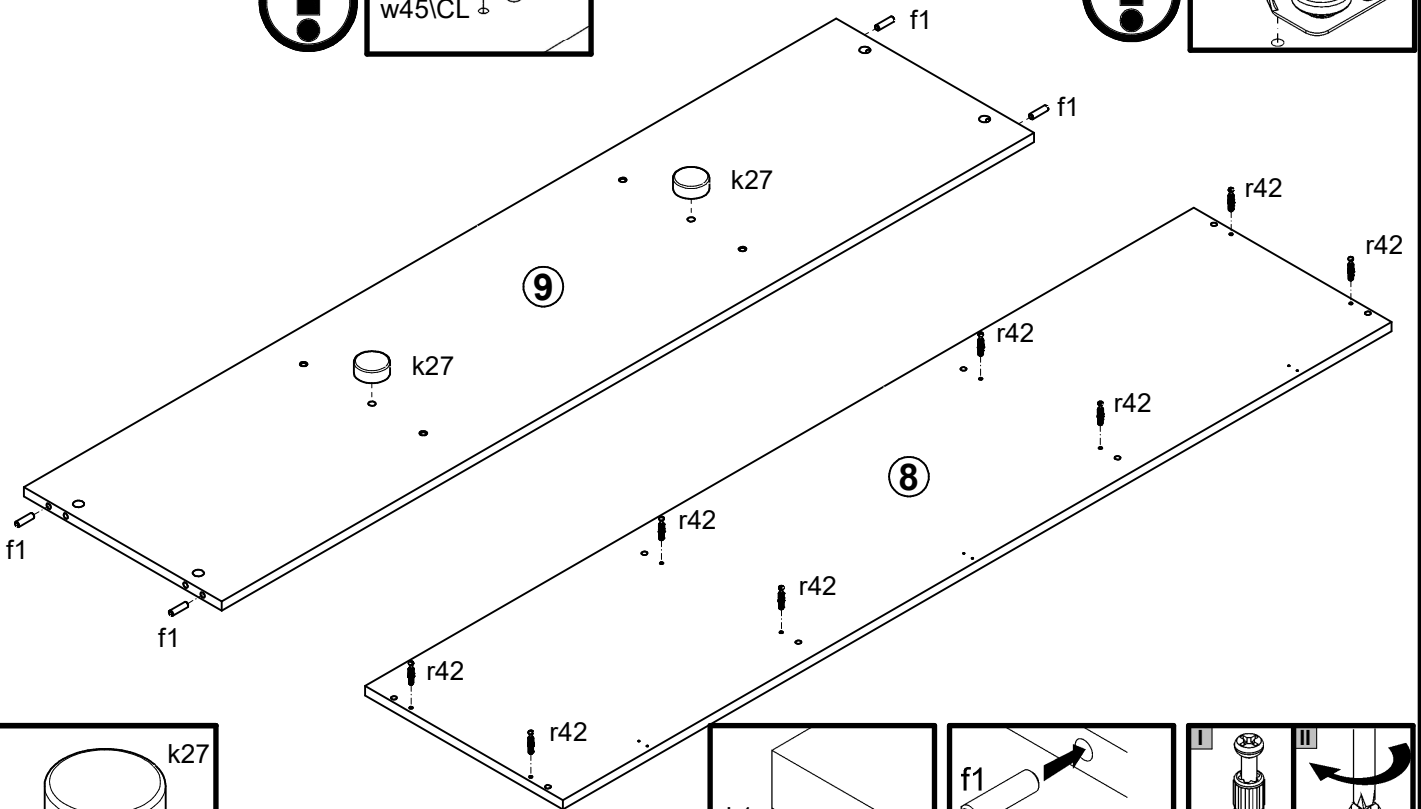
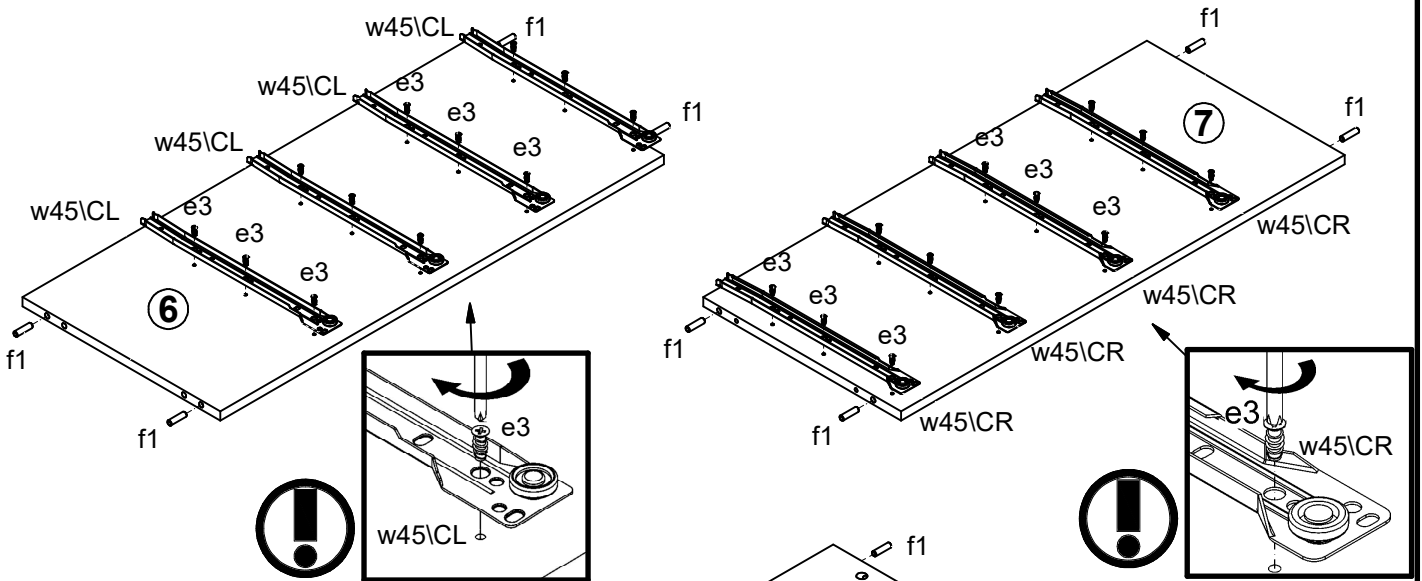
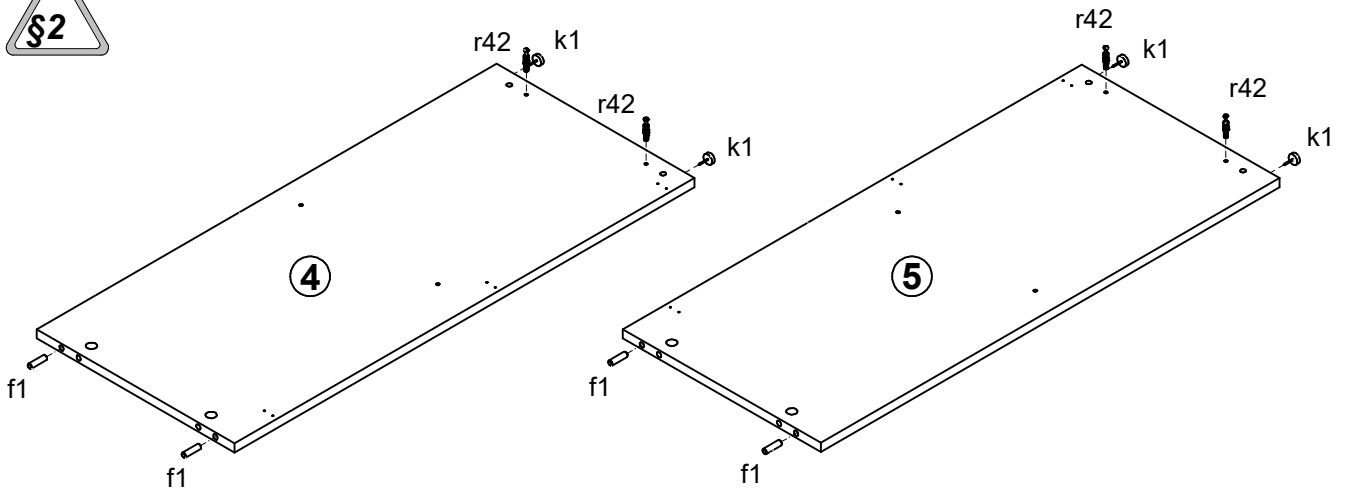


A	B	C	D	A	B	C	D		
1	S382-0015	793	410	4/4	11	S382-5023	1551	62	3/4
2	S382-0016	793	410	4/4	12	S382-5024	814	62	3/4
3	S382-0017	595	196	4/4	13	S382-5025	814	62	3/4
4	S382-1029	860	370	1/4	14	S382-9009	543	348	2/4
5	S382-1030	860	370	1/4	15	S382-9305	855	473	1/4
6	S382-1031	830	370	1/4	16	S382-9306	855	597	1/4
7	S382-1032	830	370	1/4	17	ZS4-5510	534	140	1/4
8	S382-2008	1550	370	2/4	18	ZS6-501	350	140	1/4
9	S382-3017	1519	370	2/4	19	ZS6-502	350	140	1/4
10	S382-3018	452	365	2/4					

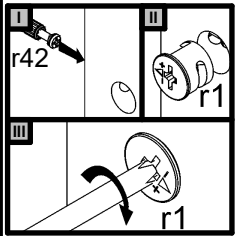
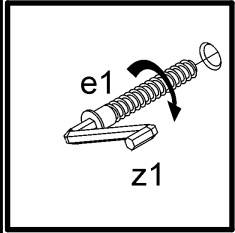
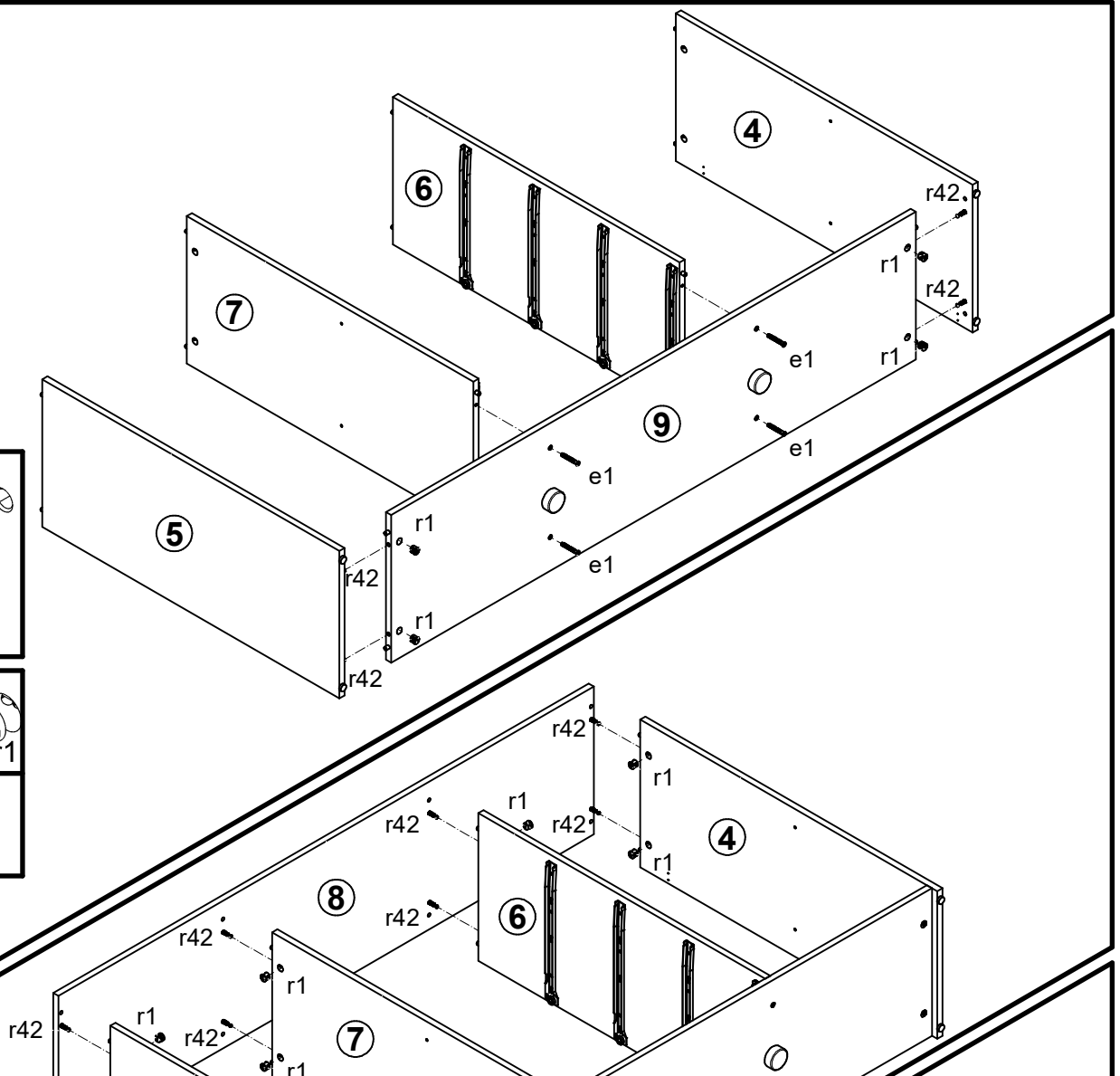


4x a132	4x b43	6x c328 128 mm	8x d1 Ø5x17 mm	9x d37	4x e1 Ø7x50 mm	16x e19 Ø5x9 mm	8x e2 Ø6,3x13 mm	24x e3 Ø6x13 mm
20x f1 Ø8x30 mm	16x f25 Ø6,5x40 mm	8x f9 Ø6x30 mm	4x k1	2x k27	90x l1	8x p25 Ø3,5x16 mm	37x p38 Ø3,5x16 mm	8x p51 Ø3,5x15 mm
12x p60 Ø4x22 mm	12x r1 Ø15x12 mm #16	16x r15 Ø12x10,5 mm #12	28x r42 20/11	4x t19 333 mm	4x w45\CL 350 mm	4x w45\CR 350 mm	4x w45\DL 350 mm	4x w45\DR 350 mm
1x z1 4 mm	2x s2 Ø16	1x n26\1						

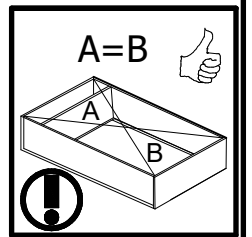
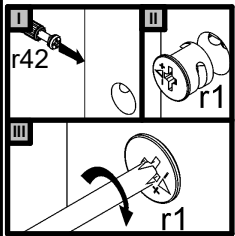
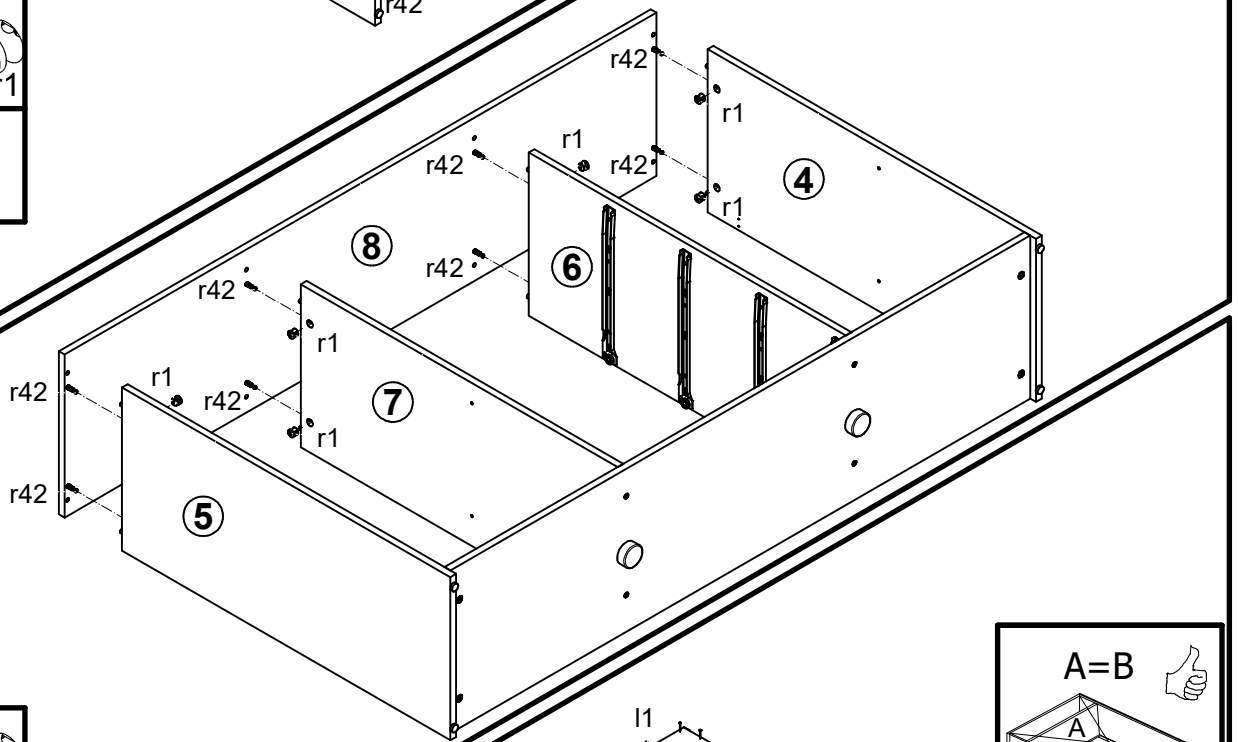
1 §2



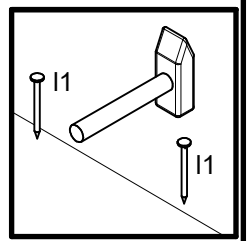
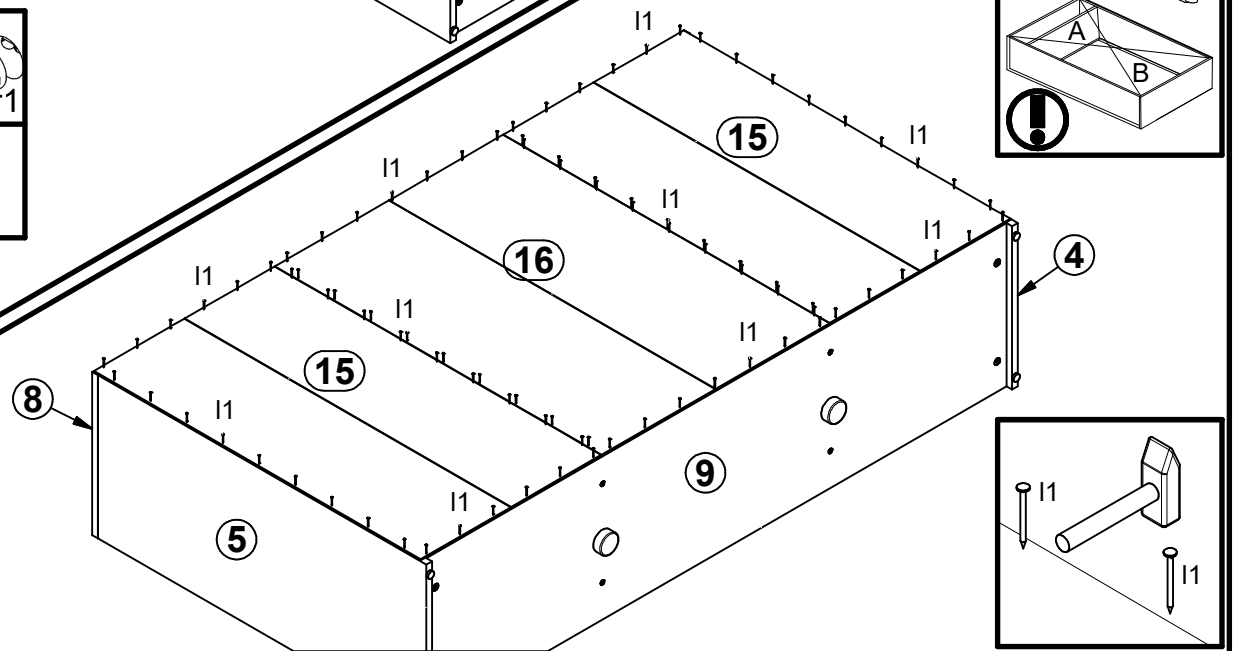
2



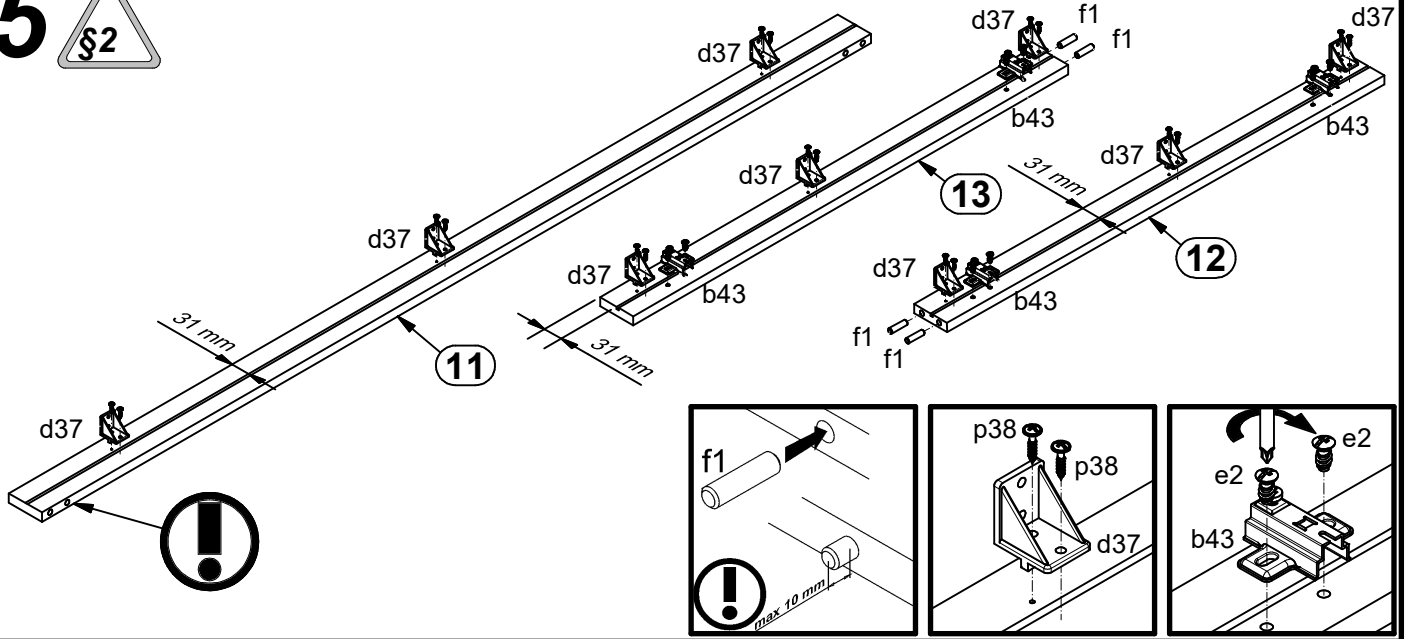
3



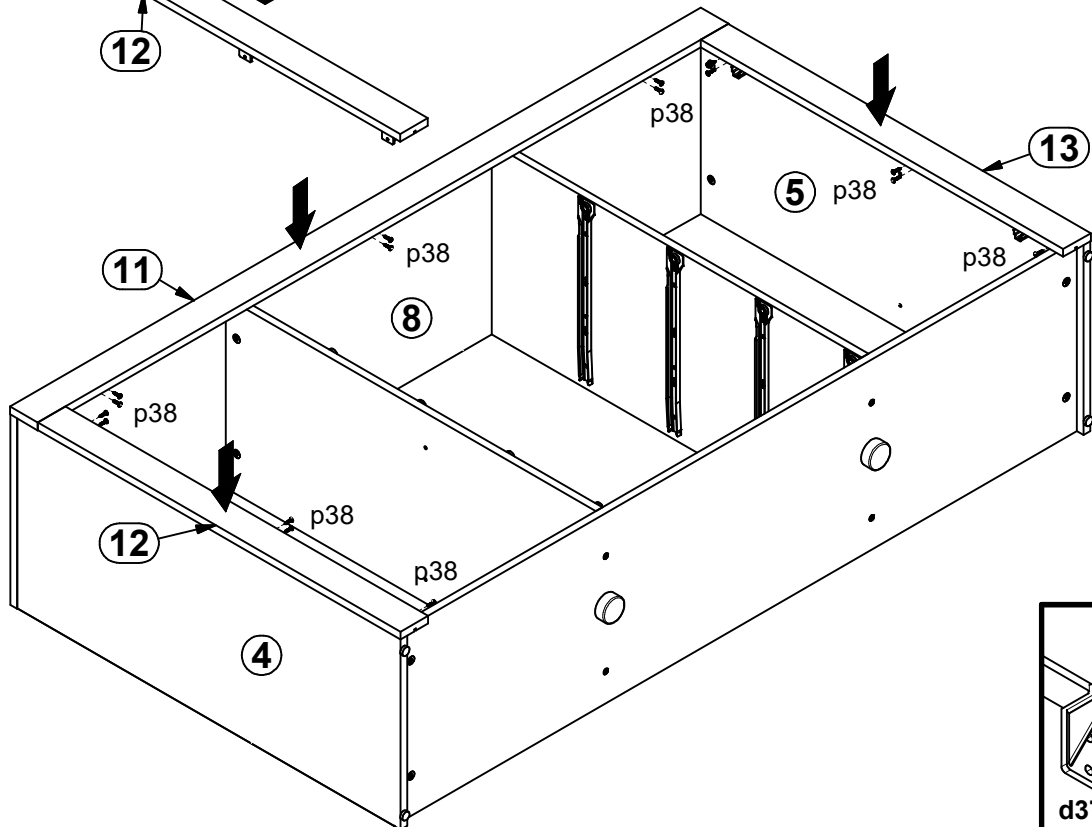
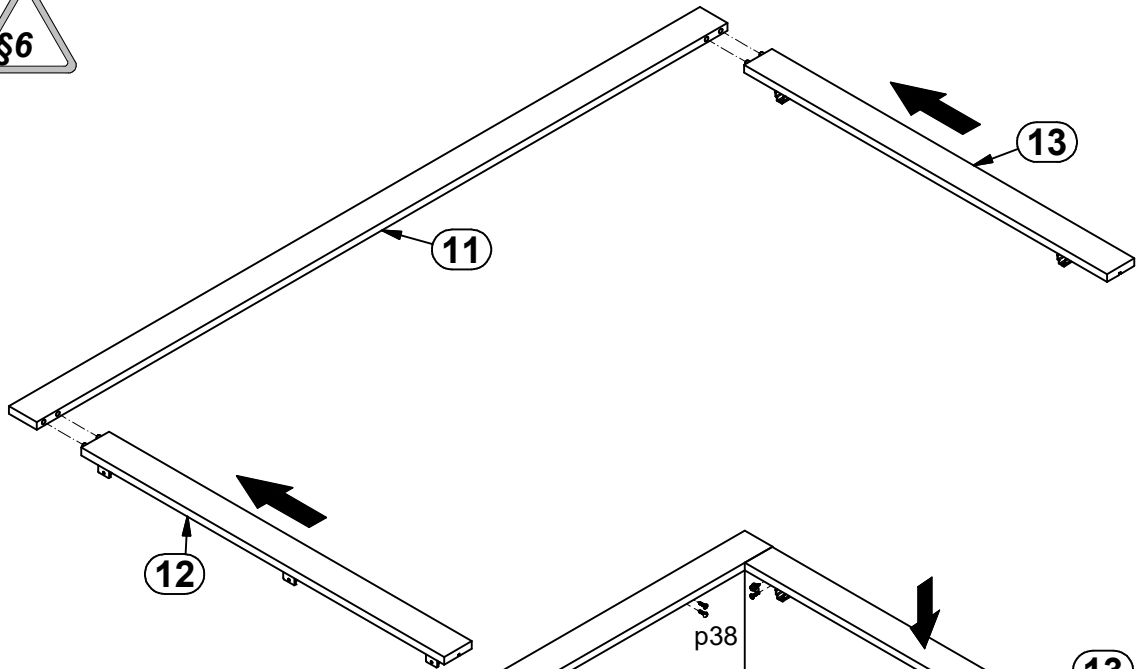
4



5



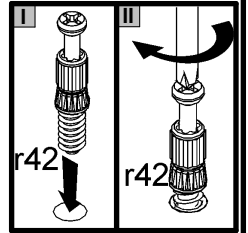
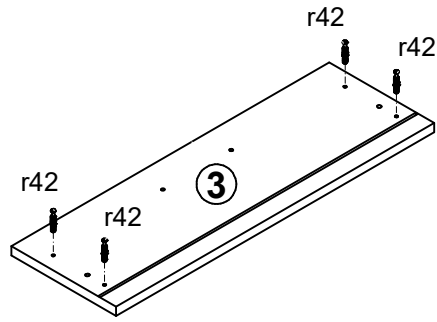
6



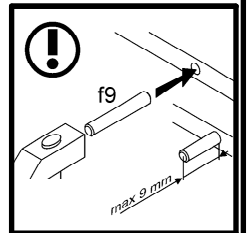
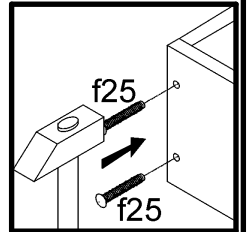
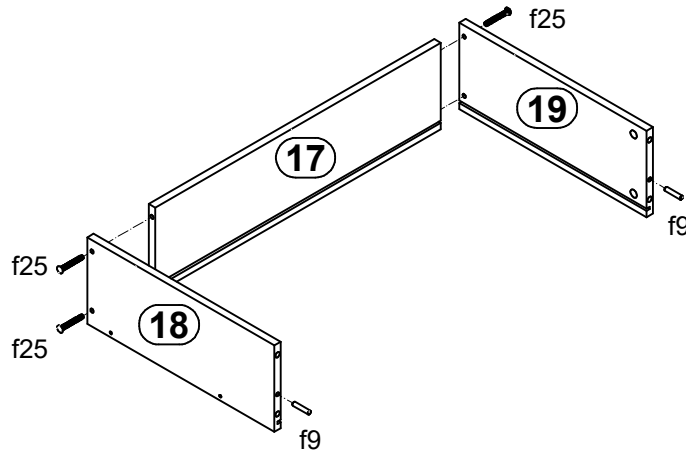
7



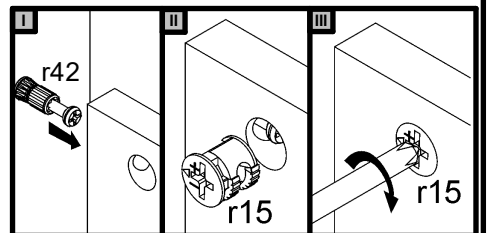
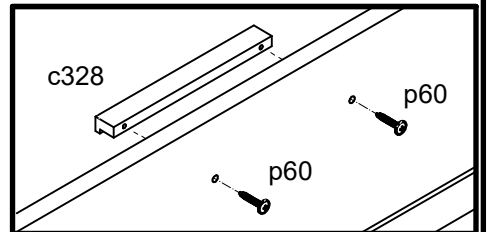
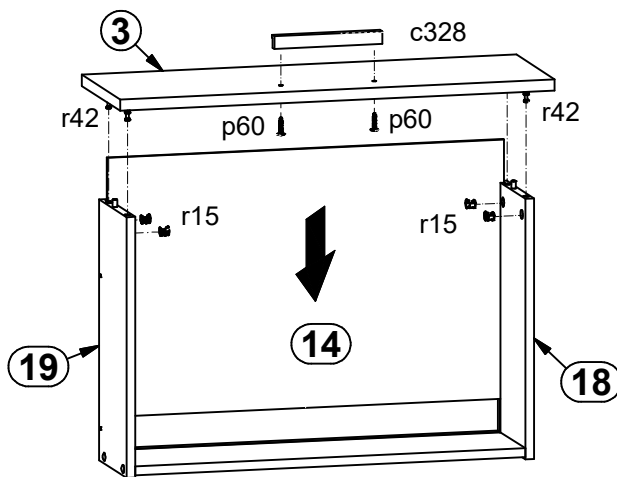
I



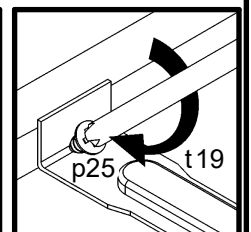
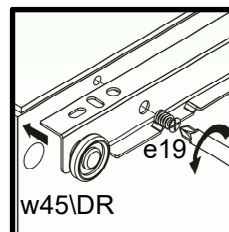
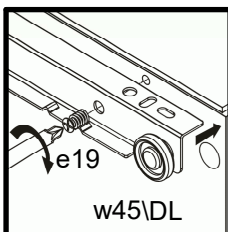
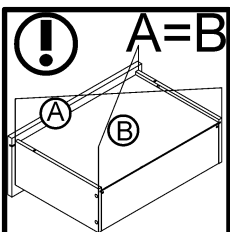
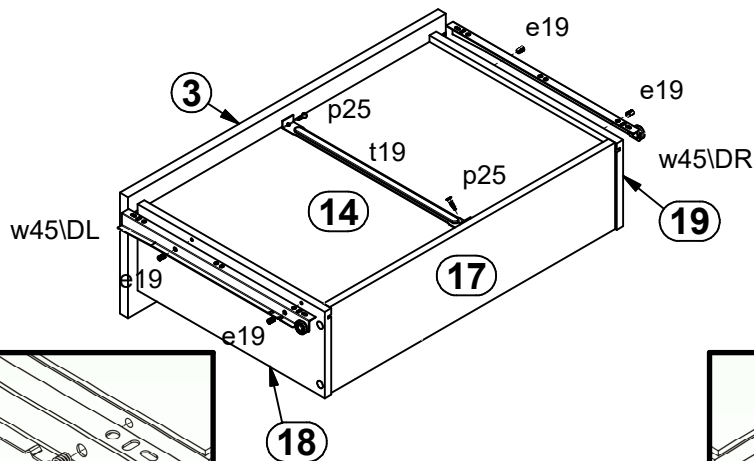
II



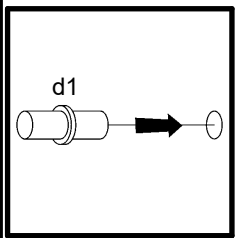
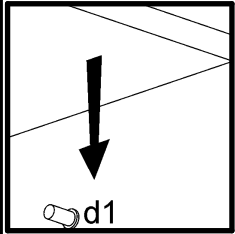
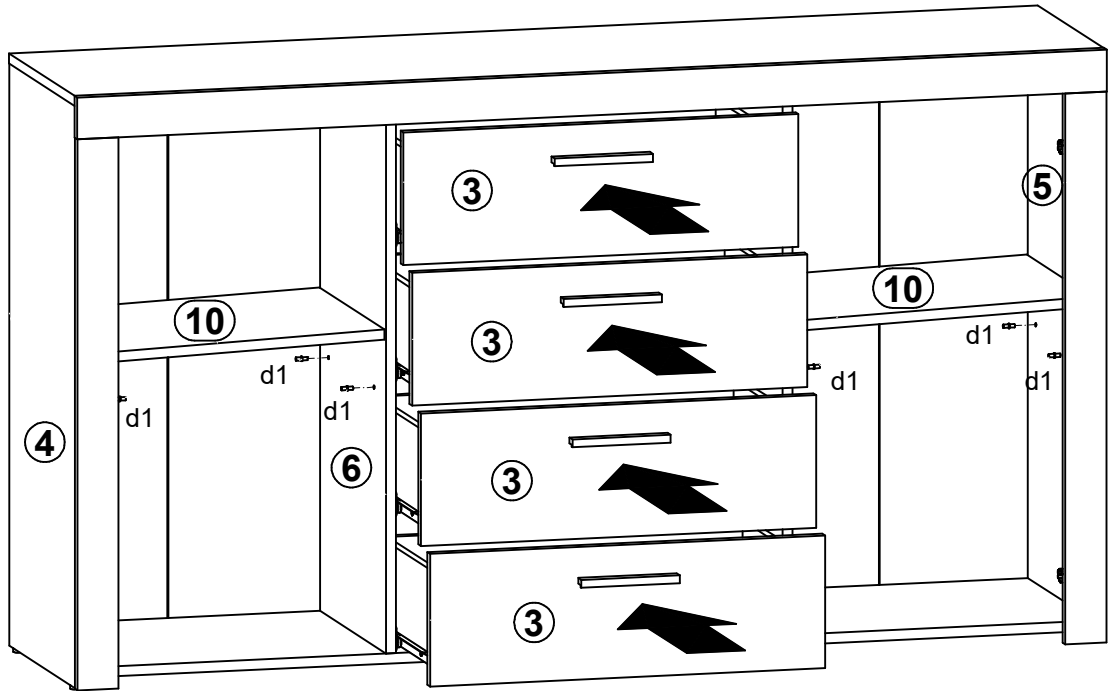
III



IV



8 §2



9 §6 §10

